

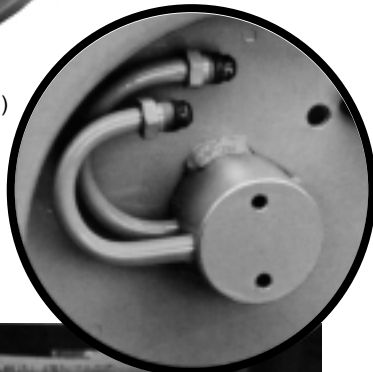


R35 Series

Spring Operated Dual Hose Reels for Hydraulic Pressures up to 2000 PSI



Dual hose entries on R-35 Series reels feature side-by-side (parallel) design, offset for fitting access. Both hoses are relatively same length and their rotation terminates at same point, requiring less hose than formerly.

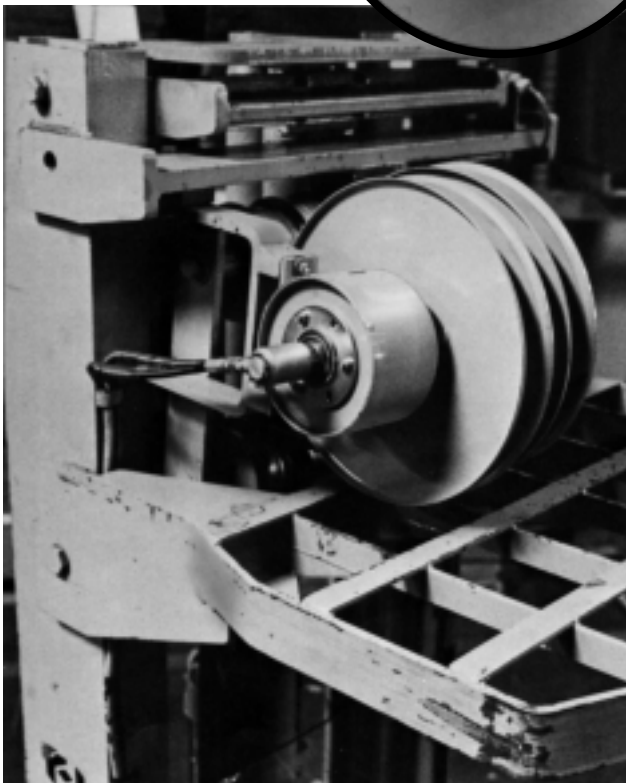


...with new seal design and kink-free hose entrance.

...available in models with nine or 17 foot hose capacities for left or right hand installation.

Another example of Gleason Reel capability, the R35 Series gives you all these features...assures you an added measure of design simplicity and compactness...installation and replacement ease...dependable, long life service.

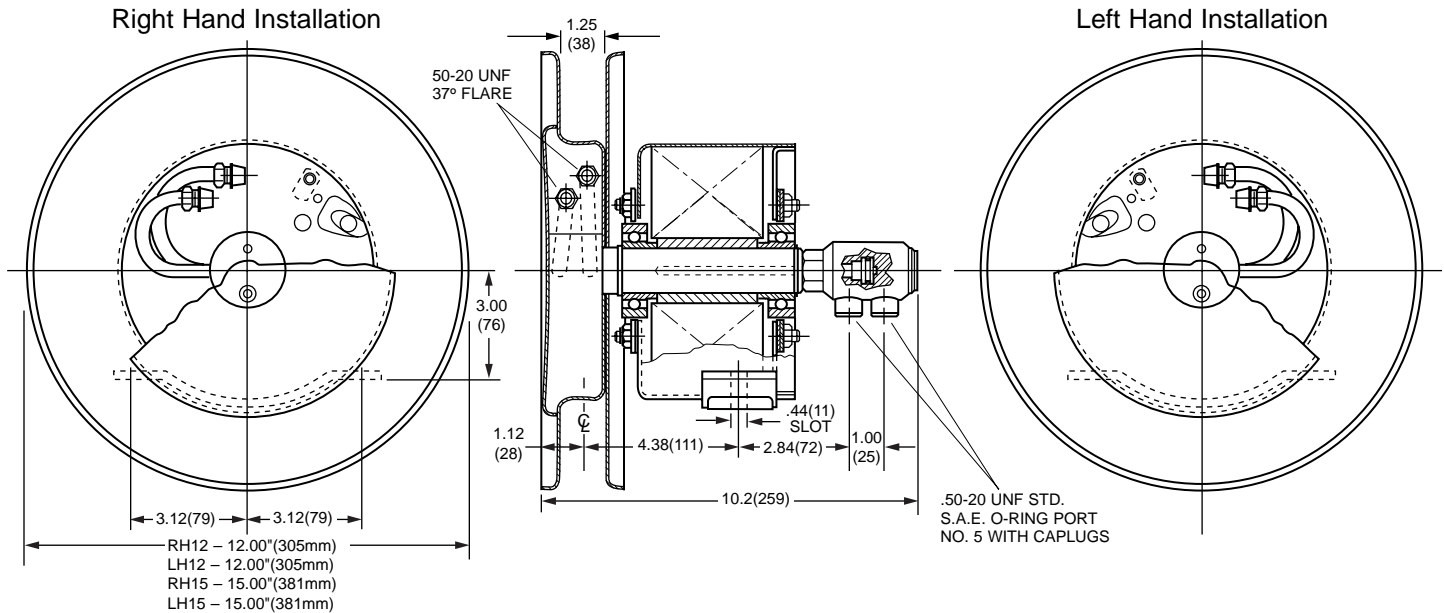
- Extra rugged and compact for hydraulic lift truck service.
- Exclusive narrow spool design permits operation in tight quarters.
- Extra heavy spring motor for positive response.
- Quick replacement of precision-machined dual port swivels.
- One-piece plastic hose ramp for smooth transition from steel spool into manifold area...eliminates sharp corners.
- All steel construction.
- Ball bearings throughout.
- Safetychange® replaceable spring motor.
- Long life main spring with declutching feature.
- Full pressure and flow under continuous rotation.
- Baked enamel finish.
- Seals in double port swivel suitable for use with petroleum base fluids...seals also available for use with phosphate ester base fluids on request.





Engineering Data R35 Series

Dimensions



Model Chart

MODEL NO.	HOSE DESCRIPTION	MAX PRESS.	LENGTH
R35 - RH - 15	1/4" I.D. twin hydraulic	2000 PSI	17 FT.(5.1m)
R35 - LH - 15	1/4" I.D. twin hydraulic	2000 PSI	17 FT.(5.1m)
R35 - RH - 12	1/4" I.D. twin hydraulic	2000 PSI	9 FT.(2.7m)
R35 - LH - 12	1/4" I.D. twin hydraulic	2000 PSI	9 FT.(2.7m)

HOSE NOT INCLUDED, but may be ordered separately and factory installed. See you local Gleason Reel Representative.



Gleason Reel Corp

P.O. Box 26
600 S. Clark St.
Mayville WI, 53050
Phone: 920-387-4120 • Fax: 920-387-4189
www.hubbell-gleason.com

Represented by...