



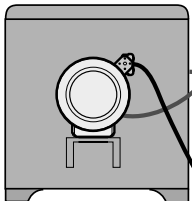
WELDING CABLE REELS



- *Easy hand pull operation. Safe, controlled rewind.*
- *Heavy duty machined collector; rated to 400 amps (higher than most cables).*
- *Rugged welded steel frame.*
- *Gasketed NEMA 4 collector enclosure.*
- *Accommodates four most popular welding cable sizes.*
- *Cable capacities to 85'.*
- *Available with or without cable.*
- *Two reel sizes...14" or 19" spool diameter.*
- *Four position cable guide standard.*
- *Ratchet lock standard (may be easily disengaged if desired).*

Use on stationary or large portable welders. Ideal on trucks rigged for field welding.

Can be used on stick side, or ground side for either stick or wire welding.



No more tripping over loose, tangled welding cables. Cable unreels easily...returns to reel gently.



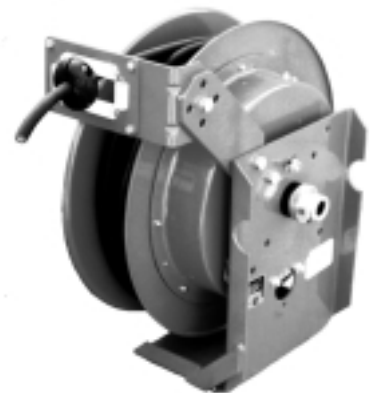
ADD SAFETY TO THE SHOP...CONVENIENCE TO THE MOBILE UNIT. Gleason welding reel stores up to 85' of arc welding cable. No more time wasting hand coiling, or hazardous tangled and jumbled piles of cable. Cable easily unreels...ratchet lock keeps it extended when in use. To rewind, just tug the cable to release the ratchet (like a window shade) and walk the rod holder or clamp back to the reel. Low spring force prevents dangerous "snap-back" should ratchet be accidentally released. Custom designed machined brass collector provides positive circuit thru reel to cable. Lead from welder to reel is easily installed and held securely in place.

Reels are available with or without cable. Refer to Model Chart below.

MODEL CHART

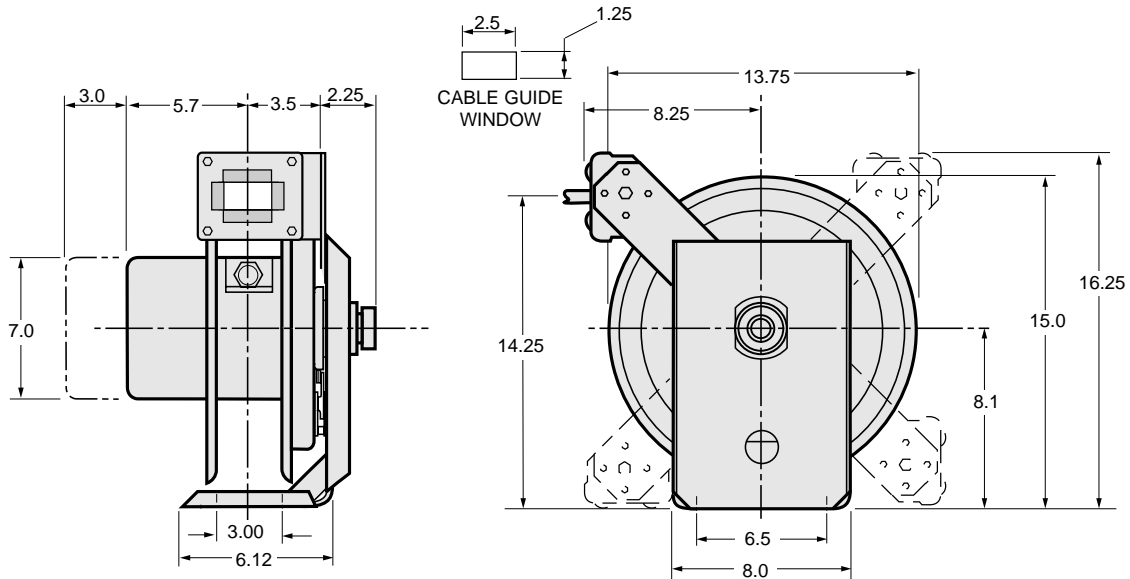
Cable length shown is length supplied and maximum recommended. Do not install more cable than length shown.

MODEL NO. WITH CABLE	MODEL NO. WITHOUT CABLE	SPOOL DIAMETER in.	CABLE AWG	CABLE LENGTH ft.	MAXIMUM AMP RATING
W14-W01-C0432	W14-000-C0002	14"	#2	43'	200
W14-X01-C0402			1/0	40'	300
W14-Y01-C0402			2/0	40'	400
W14-Z01-C0362			3/0	36'	400
W19-W01-K0753	W19-000-K0003	19"	#2	75'	200
W19-X01-K0813			1/0	81'	300
W19-Y01-K0823			2/0	82'	400
W19-Z01-K0853			3/0	85'	400

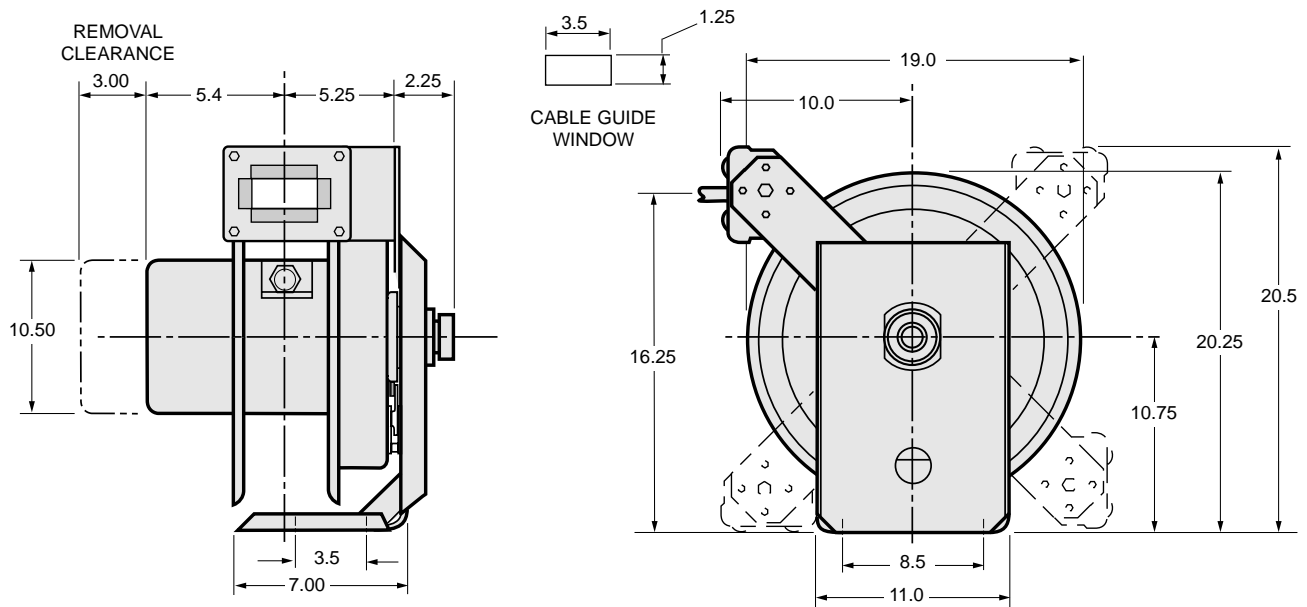


WELDING REEL DIMENSIONS

Reels shown with base down as when mounted to floor, shelf or low platform. May also be wall mounted or hung from under side of workbench by repositioning four way cable guide (optional guide positions shown on drawings below). Reel should be mounted not more than 3 ft. above floor because spring is designed to return cable, not "lift" it. When in use, all but one wrap of cable should be removed from reel to prevent overheating and electromagnetic effects.



W14 WELDING REEL DIMENSIONS



W19 WELDING REEL DIMENSIONS



Gleason Reel Corp.

P.O. Box 26, 600 S. Clark St.
 Mayville, Wisconsin 53050-0026
 Phone 920/387-4120 FAX 920/387-4189

In your area contact:

PRINTED IN U.S.A. © COPYRIGHT GLEASON REEL CORP. 1996
 BULLETIN WR-1 8/96/5M