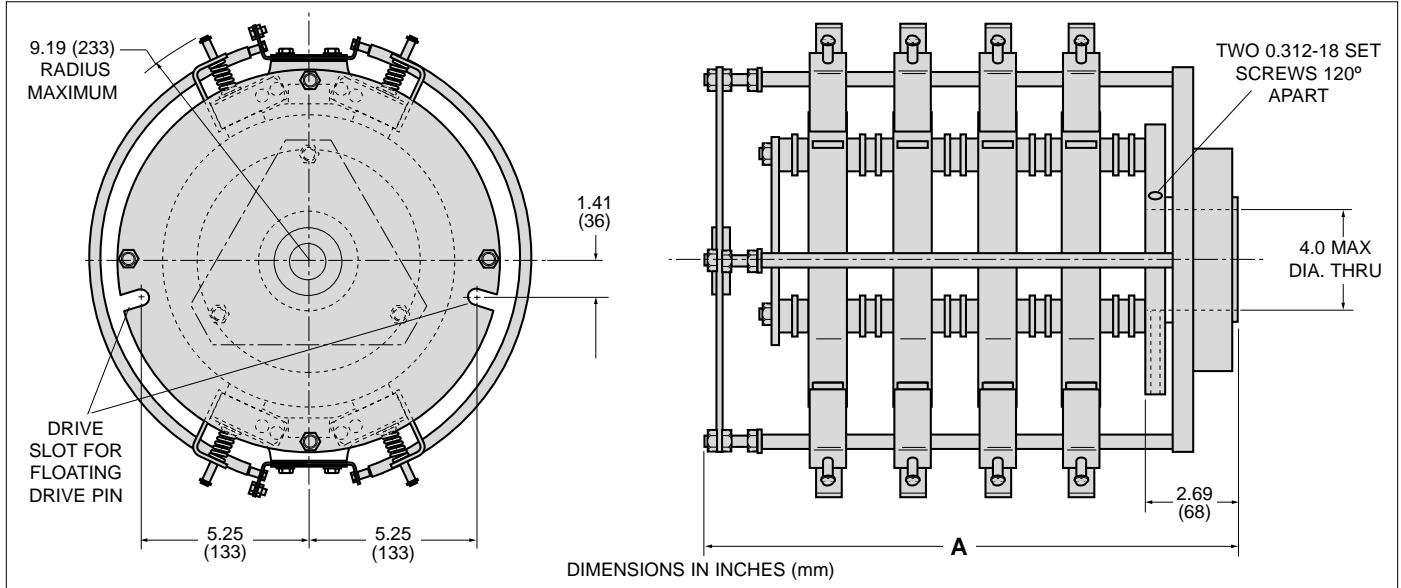


HIGH AMP 700

700 Ampere

600 Volt

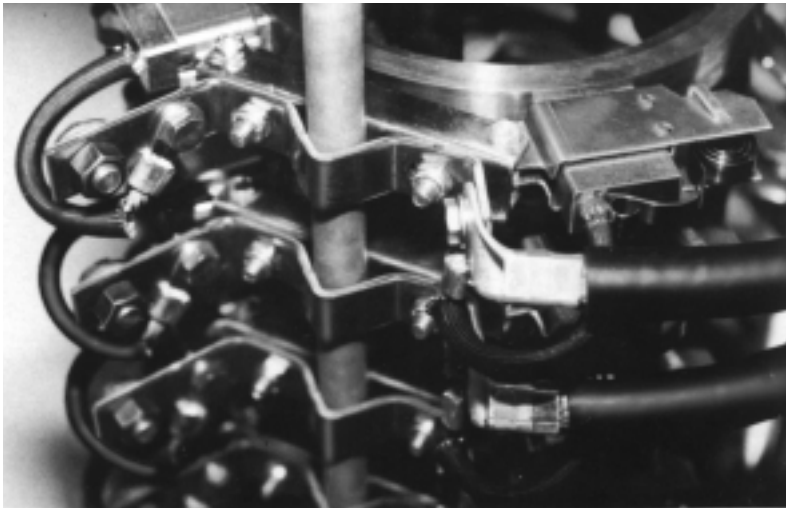
4.0"(101mm) Bore



700 AMP SLIP-RINGS

Model Number	Number Poles	Assembled Length (A)	
		in.	(mm)
HA700-02	2	10.88	(277)
HA700-03	3	13.50	(343)
HA700-04	4	16.13	(410)
HA700-05	5	18.75	(477)

* Unless otherwise specified, standard assemblies are supplied with lead wires as indicated, derated per lead wire limits and per number of poles (see page 4). If larger or mixed lead wires are required or for high-temp use (<200°C), please contact us.



Double Brush Assembly of a High Amp Slip-Ring.

- **RINGS:** Copper alloy for best combination of conductivity and durability. Wide contact area for maximum reliability.
- **BRUSHES:** Double copper graphite, four per ring, machined to precisely match ring radius.
- **BRUSH SPRINGS:** Stainless steel. Maintain proper tension through full rotation.
- **BRUSH HOLDERS:** Zinc plated steel; hold twin brushes in proper alignment.
- **SHUNT WIRES:** Braided copper with sleeve.
- **INSULATORS:** Phenolic spacers mounted on three tie-rods. Air gap acts as a natural insulator between phases.
- **BEARINGS:** Double, sealed ball bearings for maximum durability. Optional low speed bearings.
- **DRIVE COLLAR:** Zinc plated steel resists corrosion.
- **SPEED:** Nominal 300 rpm. Reversing.
- **ENCLOSURES:** Durable steel with polyester powder baked-on finish exceeds even zinc plating. Custom coatings available. Consult factory for details.