

GLEASON TRACK • MASTER™

SERIES C40-F

For ROUND Cable or Hose

- FLAT CLAMP DESIGN
- 0.87" DIA. PRECISION BALL BEARING STEEL WHEELS STANDARD

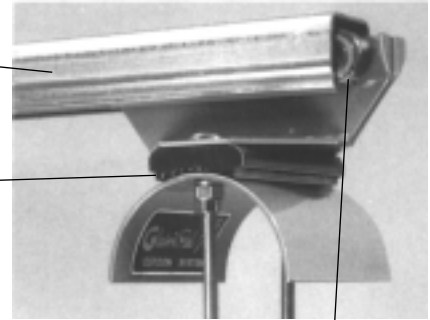
- MAX SADDLE DIAMETER = 3.12"
- MAX TROLLEY LOAD = 50 lbs.
- TRAVEL SPEEDS UP TO 350 fpm.
- ACCELERATION—Consult us if over 2.0 ft/sec²
- MAX TRAVEL = 100 ft.—Consult us if greater

Standard Trolley Design

- 0.87" Dia. precision ball bearing wheels
- Bearings are pre-lubricated for life
- Tow trolley included as standard
- Hardware is zinc plated
- Orange baked polyester powder finish
- Cable Clamp allows cable package height to vary up to 0.12"

GALVANIZED C-RAIL
STAINLESS STEEL TRACK AVAILABLE

FLAT CABLE CLAMP



S

STEEL WHEELS

Model Number Explained

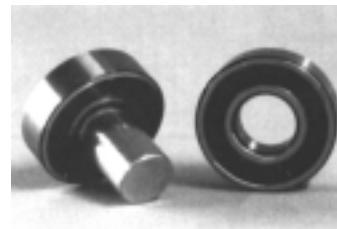
For STANDARD DESIGN, specific model numbers are on the following page.

TYPE	CLAMP STYLE	SADDLE DIAMETER	WINDOW HEIGHT	WINDOW WIDTH	ITEM	Standard Hardware HARDWARE MATERIAL	Standard Wheels** WHEEL MATERIAL
#C40	F	02	05	02	I -	Z -	S
<p>Chosen by computer</p>						ZINC PLATED	STEEL
<p>Options you select</p>						Hardware Option	S
						S STAINLESS	**Not applicable to end clamps

* Example above is for INTERMEDIATE TROLLEY (I) Use same option changes (at right) for other components as required.

Option Design Features

CODE	OPTION
<input checked="" type="checkbox"/> S	STAINLESS STEEL HARDWARE
<input type="checkbox"/>	OTHER FINISHES AVAILABLE – PLEASE CONTACT US
<input type="checkbox"/>	FACTORY PRE-ASSEMBLY ON SHIPPING FRAME



STANDARD STEEL WHEELS

Track Hardware

See detail pages at back of catalog

- RAIL TRACK SECTIONS
- RAIL COUPLER ASSEMBLIES
- VINYL END CAPS
- RAIL HANGER ASSEMBLIES
- RAIL ENDSTOP ASSEMBLIES

Accessories

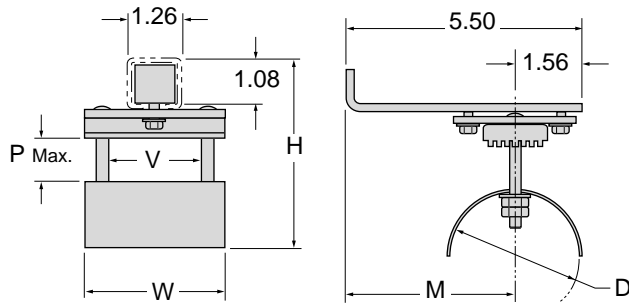
See detail pages at back of catalog

- HOSE - FLAT DESIGN
- JUNCTION BOX(ES)
- CABLE - ROUND OR FLAT
- TERMINAL BLOCKS
- TY-WRAPS
- HOSE - GENERAL PURPOSE or HYDRAULIC
- CABLE GLANDS FOR SINGLE CABLES OR GROUPS

Series C40-F Components & Dimensions

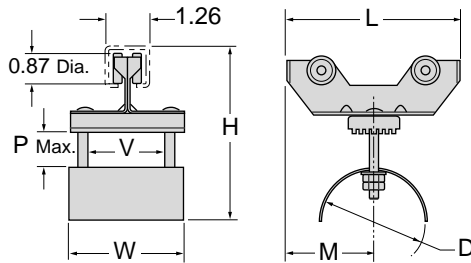
FLAT CLAMP DESIGN for FLAT CABLE

All dimensions in inches unless otherwise specified.



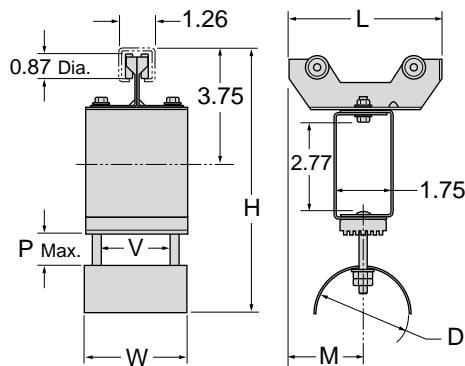
End Clamp *One Required*

Model Number	Saddle Radius R	Saddle Dia. D	Window Height P	Window Width V	Overall Width W	Top of Track H	Saddle Locator M
<i>w/ Standard Hardware</i>							
C40-F02-0502E-Z	1.00	2.00	1.50	2.12	3.25	4.37	3.94
C40-F02-1502E-Z	1.00	2.00	1.50	2.12	3.25	4.37	3.94
C40-F03-0902E-Z	1.56	3.12	0.94	2.12	3.25	4.37	3.94



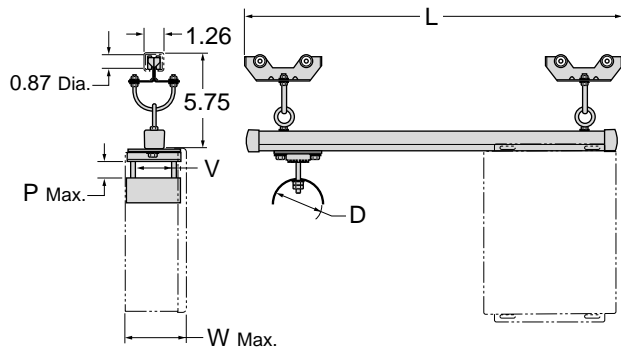
Intermediate Trolley *Quantity as Required*

Model Number	Saddle Radius R	Saddle Dia. D	Window Height P	Window Width V	Overall Length L	Overall Width W	Top of Track H	Saddle Locator M
<i>w/ Std Hardware & Wheels</i>								
C40-F02-0502I-Z-S	1.00	2.00	0.56	2.12	3.12	3.25	4.03	1.56
C40-F02-1502I-Z-S	1.00	2.00	1.50	2.12	5.00	3.25	5.03	2.50
C40-F03-0902I-Z-S	1.56	3.12	0.94	2.12	5.00	3.25	5.03	2.50



Tow Trolley *Standard...One Required*

Model Number	Saddle Radius R	Saddle Dia. D	Window Height P	Window Width V	Overall Length L	Overall Width W	Top of Track H	Saddle Locator M
<i>w/ Std Hardware & Wheels</i>								
C40-F02-0502T-Z-S	1.00	2.00	1.50	2.12	5.00	3.25	8.63	2.50
C40-F02-1502T-Z-S	1.00	2.00	1.50	2.12	5.00	3.25	8.63	2.50
C40-F03-0902T-Z-S	1.56	3.12	0.94	2.12	5.00	3.25	8.63	2.50



Control Unit Trolley *Optional...Replaces Tow Trolley*

Model Number	Saddle Radius R	Saddle Dia. D	Window Height P	Window Width V	Overall Length L	Overall Width W
<i>w/ Standard Hardware</i>						
C40-F02-0502U-Z-S	1.00	2.00	1.50	2.12	20.50	6.00
C40-F02-1502U-Z-S	1.00	2.00	1.50	2.12	20.50	6.00
C40-F03-0902U-Z-S	1.56	3.12	0.94	2.12	20.50	6.00

Note: Rail Mounted Junction Boxes are available.
See "Accessories" section at back of catalog.