

GLEASON TRACK • MASTER™ SERIES C50-M

For ROUND or FLAT Cable

- MIXED CLAMP DESIGN
- 1.25" DIA. PRECISION BALL BEARING STEEL WHEELS STANDARD

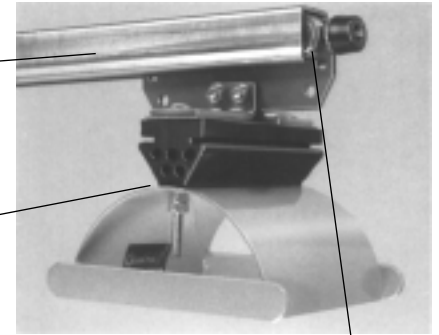
- MAX SADDLE DIAMETER = 6.31"
- MAX TROLLEY LOAD = 80 lbs.
- TRAVEL SPEEDS UP TO 350 fpm
- ACCELERATION—Consult us if over 2.0 ft/sec²
- MAX TRAVEL = 250 ft.—Consult us if greater

Standard Trolley Design

- 1.25" Dia. precision ball bearing wheels
- Bearings are pre-lubricated for life
- Tow trolley included as standard
- Hardware is zinc plated
- Orange baked polyester powder finish
- Includes heavy duty bumpers
- Cable Clamp allows cable package height to vary up to 0.25"

GALVANIZED C-RAIL

MIXED CABLE CLAMP



S
STEEL WHEELS
Bronze available

Model Number Explained

For STANDARD DESIGN, specific model numbers are on the following page.

TYPE	CLAMP STYLE	SADDLE DIAMETER	WIDOW HEIGHT	WINDOW WIDTH	ITEM	Standard Hardware HARDWARE MATERIAL	Standard Wheels** WHEEL MATERIAL
#C50	M	06	06	01	I -	Z -	S
Chosen by computer						ZINC PLATED	STEEL
Options you select						Hardware Option	Wheel Option
						S STAINLESS	B BRONZE
* Example above is for INTERMEDIATE TROLLEY (I) Use same option changes (at right) for other components as required.						**Not applicable to end clamps	

Option Design Features

CODE	OPTION
<input checked="" type="checkbox"/> B	BRONZE ANTI-SPARK WHEELS w/ BRONZE BEARINGS (De-rate maximum trolley load by 50% for bronze wheels)
<input checked="" type="checkbox"/> S	STAINLESS STEEL HARDWARE
<input type="checkbox"/>	OTHER FINISHES AVAILABLE – PLEASE CONTACT US
<input type="checkbox"/>	FACTORY PRE-ASSEMBLY ON SHIPPING FRAME



STANDARD STEEL WHEELS

Bronze Anti-Spark Wheels
Optional

Track Hardware See detail pages at back of catalog

- RAIL TRACK SECTIONS
- RAIL COUPLER ASSEMBLIES
- VINYL END CAPS
- RAIL HANGER ASSEMBLIES
- RAIL ENDSTOP ASSEMBLIES

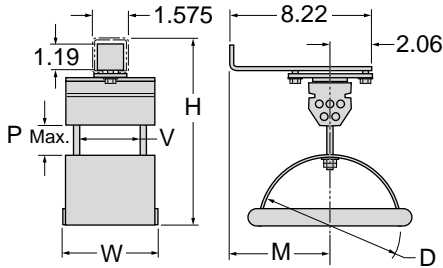
Accessories See detail pages at back of catalog

- TOW CHAINS
- HOSE - GENERAL PURPOSE or HYDRAULIC
- JUNCTION BOX(ES)
- CABLE - ROUND OR FLAT
- TERMINAL BLOCKS
- TY-WRAPS
- CABLE CLAMPS—MIXED DESIGN
- CABLE GLANDS FOR SINGLE CABLES OR GROUPS

Series C50-M Components & Dimensions

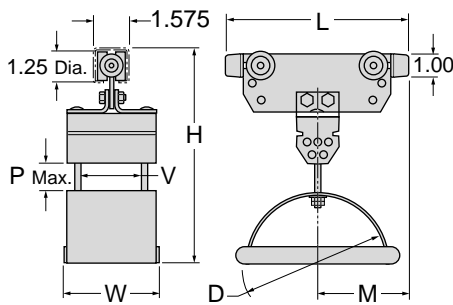
MIXED CLAMP DESIGN for FLAT OR ROUND CABLE OR HOSE

All dimensions in inches unless otherwise specified.



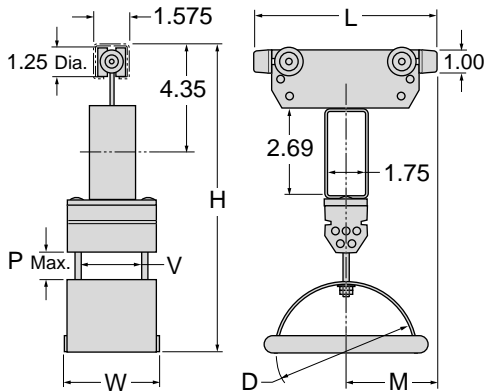
End Clamp *One Required*

Model Number <i>w/ Standard Hardware</i>	Saddle Radius R	Saddle Dia. D	Window Height P	Window Width V	Overall Width W	Top of Track H	Saddle Locator M
C50-M06-0601E-Z	3.15	6.31	0.62	1.88	3.44	7.81	6.16
C50-M06-0602E-Z	3.15	6.31	0.62	2.62	4.19	7.81	6.16
C50-M06-0605E-Z	3.15	6.31	0.62	5.00	6.56	7.81	6.16
C50-M06-0606E-Z	3.15	6.31	0.62	6.56	8.12	7.81	6.16



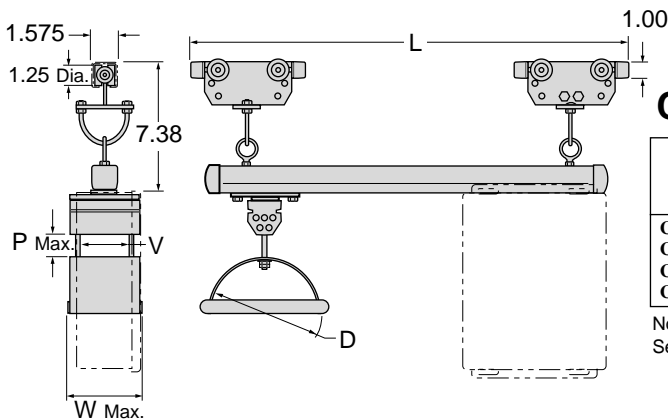
Intermediate Trolley *Quantity as Required*

Model Number <i>w/ Std Hardware & Wheels</i>	Saddle Radius R	Saddle Dia. D	Window Height P	Window Width V	Overall Length L	Overall Width W	Top of Track H	Saddle Locator M
C50-M06-0601I-Z-S	3.15	6.31	0.62	1.88	7.88	3.44	8.89	3.94
C50-M06-0602I-Z-S	3.15	6.31	0.62	2.62	7.88	4.19	8.89	3.94
C50-M06-0605I-Z-S	3.15	6.31	0.62	5.00	7.88	6.56	8.89	3.94
C50-M06-0606I-Z-S	3.15	6.31	0.62	6.56	7.88	8.12	8.89	3.94



Tow Trolley *Standard...One Required*

Model Number <i>w/ Std Hardware & Wheels</i>	Saddle Radius R	Saddle Dia. D	Window Height P	Window Width V	Overall Length L	Overall Width W	Top of Track H	Saddle Locator M
C50-M06-0601T-Z-S	3.15	6.31	0.62	1.88	7.88	3.44	11.92	3.94
C50-M06-0602T-Z-S	3.15	6.31	0.62	2.62	7.88	4.19	11.92	3.94
C50-M06-0605T-Z-S	3.15	6.31	0.62	5.00	7.88	6.56	11.92	3.94
C50-M06-0606T-Z-S	3.15	6.31	0.62	6.56	7.88	8.12	11.92	3.94



Control Unit Trolley *Optional...Replaces Tow Trolley*

Model Number <i>w/ Standard Hardware</i>	Saddle Radius R	Saddle Dia. D	Window Height P	Window Width V	Overall Length L	Overall Width W
C50-M06-0601U-Z-S	3.15	6.31	0.62	1.88	33.50	6.00
C50-M06-0602U-Z-S	3.15	6.31	0.62	2.62	33.50	6.00
C50-M06-0605U-Z-S	3.15	6.31	0.62	5.00	33.50	6.56
C50-M06-0606U-Z-S	3.15	6.31	0.62	6.56	33.50	8.12

Note: Rail Mounted Junction Boxes are available.
See "Accessories" section at back of catalog.