

# GLEASON TRACK • MASTER™ SERIES C60-F

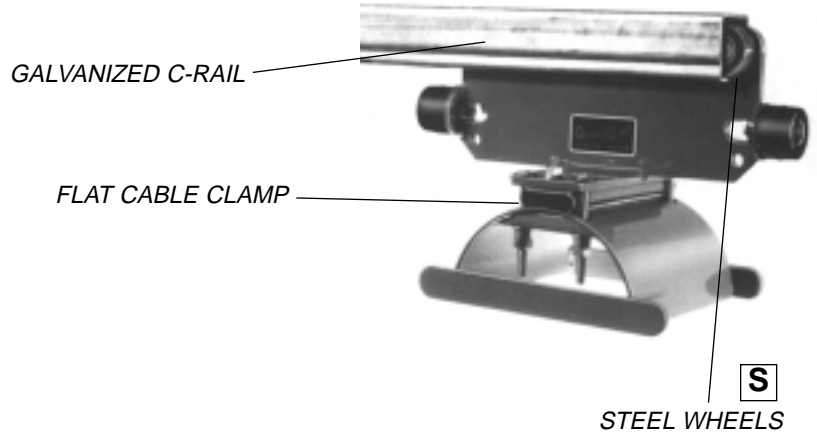
## For FLAT Cable

- FLAT CLAMP DESIGN
- 1.57" DIA. PRECISION BALL BEARING STEEL WHEELS STANDARD

- MAX SADDLE DIAMETER = 4.94"
- MAX TROLLEY LOAD = 125 lbs.
- TRAVEL SPEEDS UP TO 450 fpm
- ACCELERATION—Consult us if over 2.0 ft/sec<sup>2</sup>
- MAX TRAVEL = 500 ft.—Consult us if greater

### Standard Trolley Design

- 1.57" Dia. precision ball bearing wheels
- Bearings are pre-lubricated for life
- Tow trolley included as standard
- Hardware is zinc plated
- Orange baked polyester powder finish
- Includes heavy duty bumpers
- Cable Clamp allows cable package height to vary up to 0.12"



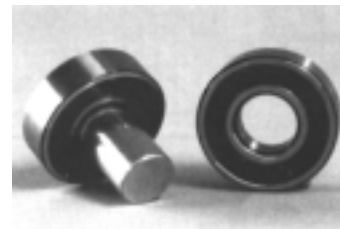
### Model Number Explained

For STANDARD DESIGN, specific model numbers are on the following pages.

TYPE	CLAMP STYLE	SADDLE DIAMETER	WINDOW HEIGHT	WINDOW WIDTH	ITEM	Standard Hardware MATERIAL	Standard Wheels** WHEEL MATERIAL
#C60	F	03	11	02	I -	Z -	S
Chosen by computer						Hardware Option	STEEL
Options you select						<input checked="" type="checkbox"/> S STAINLESS	<input checked="" type="checkbox"/> S
* Example above is for INTERMEDIATE TROLLEY (I) Use same option changes (at right) for other components as required.							**Not applicable to end clamps

### Option Design Features

CODE	OPTION
<input checked="" type="checkbox"/> S	STAINLESS STEEL HARDWARE
<input type="checkbox"/>	OTHER FINISHES AVAILABLE – PLEASE CONTACT US
<input type="checkbox"/>	FACTORY PRE-ASSEMBLY ON SHIPPING FRAME



STANDARD STEEL WHEELS

### Track Hardware See detail pages at back of catalog

- RAIL TRACK SECTIONS
- RAIL COUPLER ASSEMBLIES
- VINYL END CAPS
- RAIL HANGER ASSEMBLIES
- RAIL ENDSTOP ASSEMBLIES

### Accessories See detail pages at back of catalog

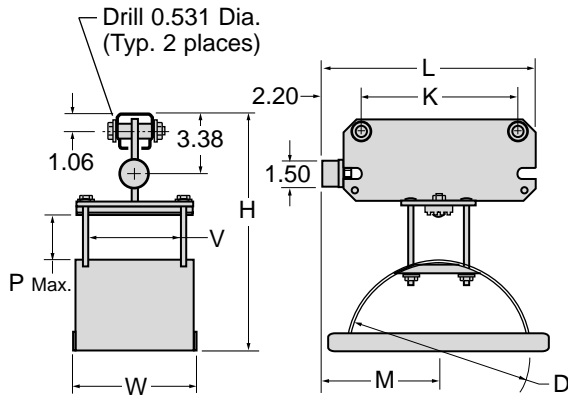
- CABLE CLAMPS - FLAT DESIGN
- JUNCTION BOX(ES)
- CABLE - ROUND OR FLAT
- TERMINAL BLOCKS
- TY-WRAPS
- HOSE - GENERAL PURPOSE or HYDRAULIC
- TOW CHAINS
- CABLE GLANDS FOR SINGLE CABLES OR GROUPS

# Series C60-F Components & Dimensions

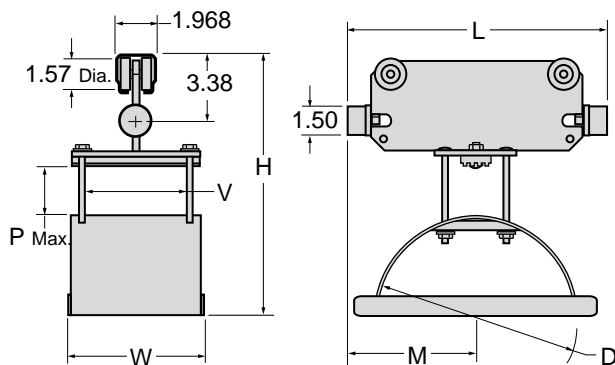
FLAT CLAMP DESIGN FOR FLAT CABLE

All dimensions in inches unless otherwise specified.

## End Clamp *One Required*



Model Number w/ Std Hardware & Wheels	Saddle Radius R	Saddle Dia. D	Window Height P	Window Width V	Overall Length L	Overall Width W	Top of Track H	Saddle Locator M	Bolt Spacing K
C60-F03-1102E-Z	1.56	3.12	1.19	2.62	5.16	3.94	8.34	3.16	1.94
C60-F03-1105E-Z	1.56	3.12	1.19	5.00	5.16	6.31	8.34	3.16	1.94
C60-F03-2002E-Z	1.56	3.12	2.00	2.62	6.69	3.94	9.15	3.94	3.50
C60-F03-2005E-Z	1.56	3.12	2.00	5.00	6.69	6.31	9.15	3.94	3.50
C60-F04-1002E-Z	2.47	4.94	1.06	2.62	6.69	4.31	9.12	3.94	3.50
C60-F04-1005E-Z	2.47	4.94	1.06	5.00	6.69	6.69	9.12	3.94	3.50
C60-F04-2002E-Z	2.47	4.94	2.00	2.62	8.69	4.31	10.12	4.94	5.50
C60-F04-2005E-Z	2.47	4.94	2.00	5.00	8.69	6.69	10.12	4.94	5.50



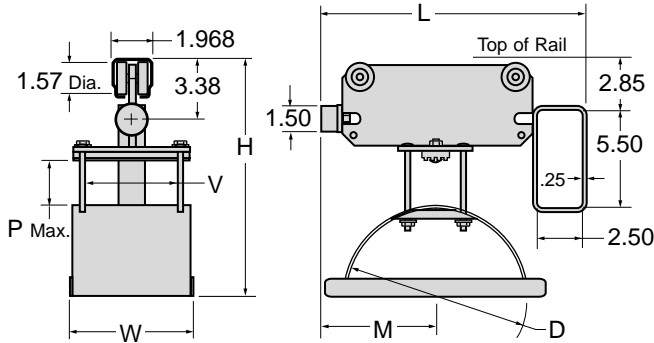
## Intermediate Trolley *Quantity as Required*

Model Number w/ Std Hardware & Wheels	Saddle Radius R	Saddle Dia. D	Window Height P	Window Width V	Overall Length L	Overall Width W	Top of Track H	Saddle Locator M
C60-F03-1102I-Z-S	1.56	3.12	1.19	2.62	6.34	3.94	8.39	3.17
C60-F03-1105I-Z-S	1.56	3.12	1.19	5.00	6.34	6.31	8.39	3.17
C60-F03-2002I-Z-S	1.56	3.12	2.00	2.62	7.91	3.94	9.21	3.95
C60-F03-2005I-Z-S	1.56	3.12	2.00	5.00	7.91	6.31	9.21	3.95
C60-F04-1002I-Z-S	2.47	4.94	1.06	2.62	7.91	4.31	9.24	3.95
C60-F04-1005I-Z-S	2.47	4.94	1.06	5.00	7.91	6.69	9.24	3.95
C60-F04-2002I-Z-S	2.47	4.94	2.00	2.62	9.91	4.31	10.24	4.95
C60-F04-2005I-Z-S	2.47	4.94	2.00	5.00	9.91	6.69	10.24	4.95

# Series C60-F Components & Dimensions, con't.

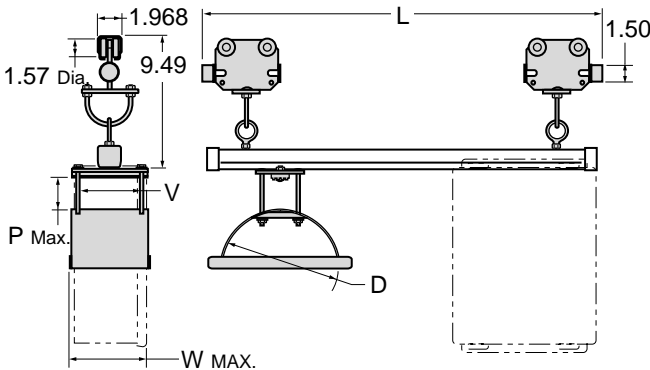
FLAT CLAMP DESIGN FOR FLAT CABLE

All dimensions in inches unless otherwise specified.



## Tow Trolley *Standard...One Required*

Model Number	Saddle Radius R	Saddle Dia. D	Window Height P	Window Width V	Overall Length L	Overall Width W	Top of Track H	Saddle Locator M
<i>w/ Std Hardware &amp; Wheels</i>								
C60-F03-1102T-Z-S	1.56	3.12	1.19	2.62	11.75	3.94	8.39	3.17
C60-F03-1105T-Z-S	1.56	3.12	1.19	5.00	11.75	6.31	8.39	3.17
C60-F03-2002T-Z-S	1.56	3.12	2.00	2.62	11.75	3.94	9.21	3.95
C60-F03-2005T-Z-S	1.56	3.12	2.00	5.00	11.75	6.31	9.21	3.95
C60-F04-1002T-Z-S	2.47	4.94	1.06	2.62	11.75	4.31	9.24	3.95
C60-F04-1005T-Z-S	2.47	4.94	1.06	5.00	11.75	6.69	9.24	3.95
C60-F04-2002T-Z-S	2.47	4.94	2.06	2.62	11.75	4.31	10.24	4.95
C60-F04-2005T-Z-S	2.47	4.94	2.06	5.00	11.75	6.69	10.24	4.95



## Control Unit Trolley *Optional... Replaces Tow Trolley*

Model Number	Saddle Radius R	Saddle Dia. D	Window Height P	Window Width V	Overall Length L	Overall Width W
<i>w/ Std Hardware &amp; Wheels</i>						
C60-F03-1102U-Z-S	1.56	3.12	1.19	2.62	45.06	6.00
C60-F03-1105U-Z-S	1.56	3.12	1.19	5.00	45.06	6.31
C60-F03-2002U-Z-S	1.56	3.12	2.00	2.62	45.06	6.00
C60-F03-2005U-Z-S	1.56	3.12	2.00	5.00	45.06	6.31
C60-F04-1002U-Z-S	2.47	4.94	1.06	2.62	45.06	6.00
C60-F04-1005U-Z-S	2.47	4.94	1.06	5.00	45.06	6.69
C60-F04-2002U-Z-S	2.47	4.94	2.06	2.62	45.06	6.00
C60-F04-2005U-Z-S	2.47	4.94	2.06	5.00	45.06	6.69

Note: Rail Mounted Junction Boxes are available.  
See "Accessories" section at back of catalog.