

GLEASON TRACK • MASTER™

SERIES C60-M

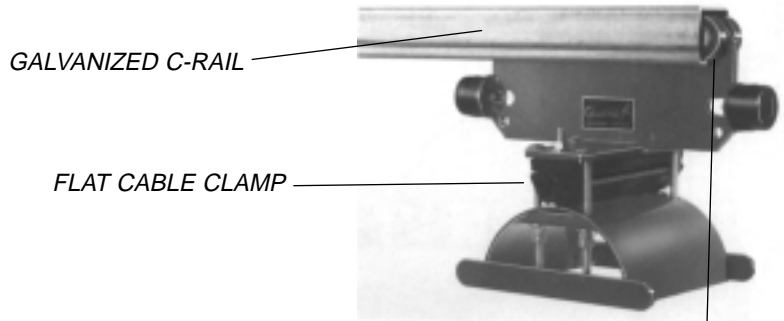
For FLAT Cable

- MIXED CLAMP DESIGN
- 1.57" DIA. PRECISION BALL BEARING STEEL WHEELS STANDARD

- MAX SADDLE DIAMETER = 12.59"
- MAX TROLLEY LOAD = 125 lbs.
- TRAVEL SPEEDS UP TO 450 fpm
- ACCELERATION—Consult us if over 2.0 ft/sec²
- MAX TRAVEL = 500 ft.—Consult us if greater

Standard Trolley Design

- 1.57" Dia. precision ball bearing wheels
- Bearings are pre-lubricated for life
- Tow trolley included as standard
- Hardware is zinc plated
- Orange baked polyester powder finish
- Cable Clamp allows cable package height to vary up to 0.25"



S

STEEL WHEELS

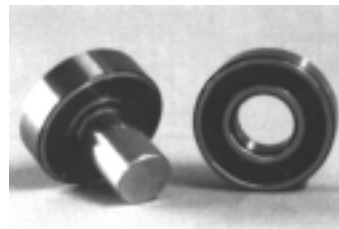
Model Number Explained

For STANDARD DESIGN, specific model numbers are on the following pages.

TYPE	CLAMP STYLE	SADDLE DIAMETER	WINDOW HEIGHT	WINDOW WIDTH	ITEM	Standard Hardware HARDWARE MATERIAL	Standard Wheels** WHEEL MATERIAL
#C60	M	06	13	02	I -	Z -	S
<p>Chosen by computer</p>						<p>ZINC PLATED</p> <p>Hardware Option</p> <p>S STAINLESS</p>	<p>STEEL</p> <p>S</p> <p>**Not applicable to end clamps</p>
<p>* Example above is for INTERMEDIATE TROLLEY (I) Use same option changes (at right) for other components as required.</p>							

Option Design Features

CODE	OPTION
<input checked="" type="checkbox"/>	STAINLESS STEEL HARDWARE
<input type="checkbox"/>	OTHER FINISHES AVAILABLE – PLEASE CONTACT US
<input type="checkbox"/>	FACTORY PRE-ASSEMBLY ON SHIPPING FRAME



STANDARD STEEL WHEELS

Track Hardware

See detail pages at back of catalog

- RAIL TRACK SECTIONS
- RAIL COUPLER ASSEMBLIES
- VINYL END CAPS
- RAIL HANGER ASSEMBLIES
- RAIL ENDSTOP ASSEMBLIES

Accessories

See detail pages at back of catalog

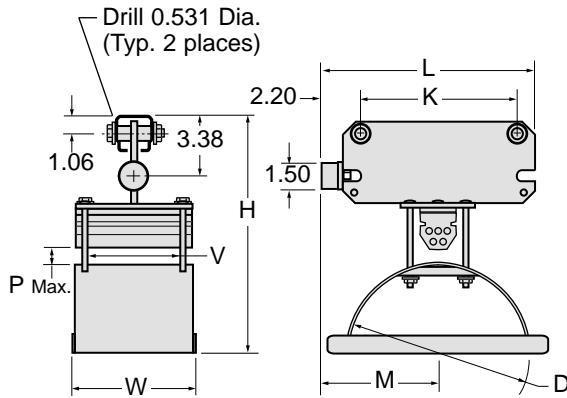
- CABLE CLAMPS - FLAT DESIGN
- JUNCTION BOX(ES)
- CABLE - ROUND OR FLAT
- TERMINAL BLOCKS
- TY-WRAPS
- HOSE - GENERAL PURPOSE or HYDRAULIC
- TOW CHAINS
- CABLE GLANDS FOR SINGLE CABLES OR GROUPS

Series C60-M Components & Dimensions

MIXED CLAMP DESIGN for FLAT or ROUND CABLE or HOSE

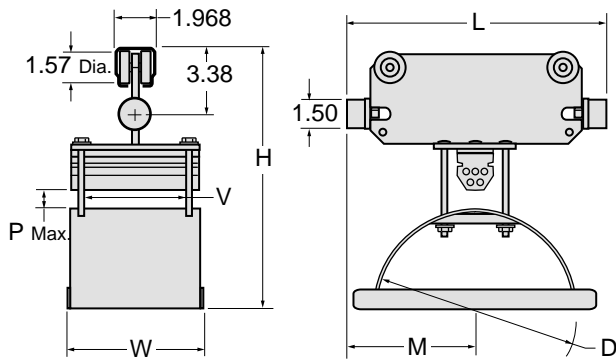
All dimensions in inches unless otherwise specified.

End Clamp *One Required*



Model Number <small>w/ Std Hardware & Wheels</small>	Saddle Radius R	Saddle Dia. D	Window Height P	Window Width V	Overall Length L	Overall Width W	Top of Track H	Saddle Locator M	Bolt Spacing K
C60-M06-1302E-Z	3.16	6.31	1.38	2.62	8.69	4.31	11.62	4.94	5.50
C60-M06-1305E-Z	3.16	6.31	1.38	5.00	8.69	6.69	11.62	4.94	5.50
C60-M06-2702E-Z	3.16	6.31	2.75	2.62	11.44	4.31	13.03	6.33	8.25
C60-M06-2705E-Z	3.16	6.31	2.75	5.00	11.44	6.69	13.03	6.33	8.25
C60-M07-2002E-Z	3.94	7.88	2.00	2.62	11.44	4.31	13.03	6.33	8.25
C60-M07-2005E-Z	3.94	7.88	2.00	5.00	11.44	6.69	13.03	6.33	8.25
C60-M07-3502E-Z	3.94	7.88	3.56	2.62	14.56	4.31	14.59	7.89	11.38
C60-M07-3505E-Z	3.94	7.88	3.56	5.00	14.56	6.69	14.59	7.89	11.38
C60-M09-1005E-Z	4.94	9.88	1.00	5.00	11.44	6.69	13.03	6.33	8.25
C60-M09-1008E-Z	4.94	9.88	1.00	8.56	11.44	10.25	13.03	6.33	8.25
C60-M09-2505E-Z	4.94	9.88	2.56	5.00	14.58	6.69	14.59	7.89	11.38
C60-M09-2508E-Z	4.94	9.88	2.56	8.56	14.58	10.25	14.59	7.89	11.38
C60-M12-1105E-Z	6.30	12.59	1.19	5.00	14.58	6.69	14.59	7.89	11.38
C60-M12-1108E-Z	6.30	12.59	1.19	8.56	14.58	10.25	14.59	7.89	11.38
C60-M12-3105E-Z	6.30	12.59	3.12	5.00	18.52	6.69	16.52	9.86	15.31
C60-M12-3108E-Z	6.30	12.59	3.12	8.56	18.52	10.25	16.52	9.86	15.31

Intermediate Trolley *Quantity as Required*



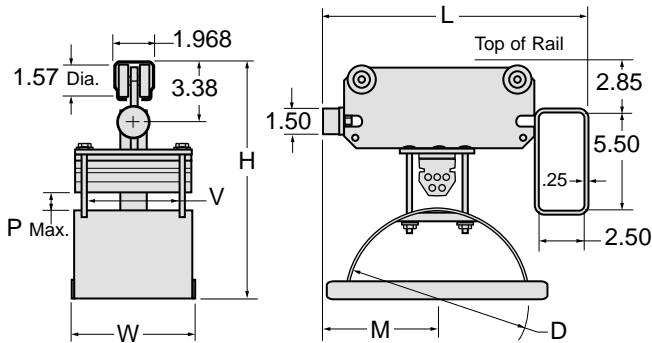
Model Number <small>w/ Std Hardware & Wheels</small>	Saddle Radius R	Saddle Dia. D	Window Height P	Window Width V	Overall Length L	Overall Width W	Top of Track H	Saddle Locator M
C60-M06-1302I-Z-S	3.16	6.31	1.38	2.62	9.91	4.31	11.62	4.95
C60-M06-1305I-Z-S	3.16	6.31	1.38	5.00	9.91	6.69	11.62	4.95
C60-M06-2702I-Z-S	3.16	6.31	2.75	2.62	12.66	4.31	13.03	6.33
C60-M06-2705I-Z-S	3.16	6.31	2.75	5.00	12.66	6.69	13.03	6.33
C60-M07-2002I-Z-S	3.94	7.88	2.00	2.62	12.66	4.31	13.03	6.33
C60-M07-2005I-Z-S	3.94	7.88	2.00	5.00	12.66	6.69	13.03	6.33
C60-M07-3502I-Z-S	3.94	7.88	3.56	2.62	15.78	4.31	14.59	7.89
C60-M07-3505I-Z-S	3.94	7.88	3.56	5.00	15.78	6.69	14.59	7.89
C60-M09-1005I-Z-S	4.94	9.88	1.00	5.00	12.66	6.69	13.03	7.89
C60-M09-1008I-Z-S	4.94	9.88	1.00	8.56	12.66	10.25	13.03	7.89
C60-M09-2505I-Z-S	4.94	9.88	2.56	5.00	15.78	6.69	14.59	7.89
C60-M09-2508I-Z-S	4.94	9.88	2.56	8.56	15.78	10.25	14.59	7.89
C60-M12-1105I-Z-S	6.30	12.59	1.19	5.00	15.78	6.69	14.59	7.89
C60-M12-1108I-Z-S	6.30	12.59	1.19	8.56	15.78	10.25	14.59	7.89
C60-M12-3105I-Z-S	6.30	12.59	3.12	5.00	19.72	6.69	16.52	9.86
C60-M12-3108I-Z-S	6.30	12.59	3.12	8.56	19.72	10.25	16.52	9.86

Series C60-M Components & Dimensions, con't.

MIXED CLAMP DESIGN for FLAT or ROUND CABLE or HOSE

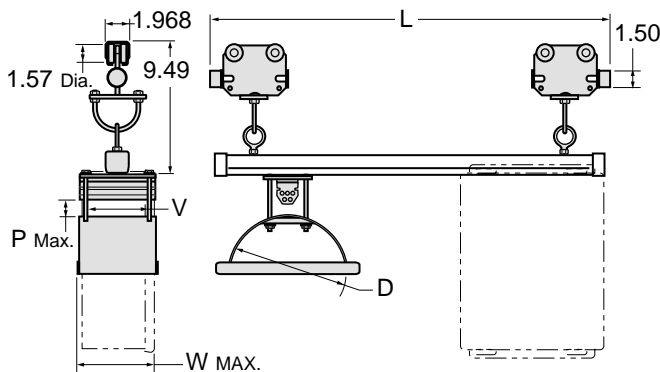
All dimensions in inches unless otherwise specified.

Tow Trolley *Standard...One Required*



Model Number	Saddle Radius R	Saddle Dia. D	Window Height P	Window Width V	Overall Length L	Overall Width W	Top of Track H	Saddle Locator M
<i>w/ Std Hardware & Wheels</i>								
C60-M06-1302T-Z-S	3.16	6.31	1.38	2.62	11.75	4.31	11.62	4.95
C60-M06-1305T-Z-S	3.16	6.31	1.38	5.00	11.75	6.69	11.62	4.95
C60-M06-2702T-Z-S	3.16	6.31	2.75	2.62	14.50	4.31	13.03	6.33
C60-M06-2705T-Z-S	3.16	6.31	2.75	5.00	14.50	6.69	13.03	6.33
C60-M07-2002T-Z-S	3.94	7.88	2.00	2.62	14.50	4.31	13.03	6.33
C60-M07-2005T-Z-S	3.94	7.88	2.00	5.00	14.50	6.69	13.03	6.33
C60-M07-3502T-Z-S	3.94	7.88	3.56	2.62	17.62	4.31	14.59	7.89
C60-M07-3505T-Z-S	3.94	7.88	3.56	5.00	17.62	6.69	14.59	7.89
C60-M09-1005T-Z-S	4.94	9.88	1.00	5.00	14.50	6.69	13.03	6.33
C60-M09-1008T-Z-S	4.94	9.88	1.00	8.56	14.50	10.25	13.03	6.33
C60-M09-2505T-Z-S	4.94	9.88	2.56	5.00	17.62	6.69	14.59	7.89
C60-M09-2508T-Z-S	4.94	9.88	2.56	8.56	17.62	10.25	14.59	7.89
C60-M12-1105T-Z-S	6.30	12.59	1.19	5.00	17.62	6.69	14.59	7.89
C60-M12-1108T-Z-S	6.30	12.59	1.19	8.56	17.62	10.25	14.59	7.89
C60-M12-3105T-Z-S	6.30	12.59	3.12	5.00	21.56	6.69	16.52	9.86
C60-M12-3108T-Z-S	6.30	12.59	3.12	8.56	21.56	10.25	16.52	9.86

Control Unit Trolley *Optional... Replaces Tow Trolley*



Model Number	Saddle Radius R	Saddle Dia. D	Window Height P	Window Width V	Overall Length L	Overall Width W
<i>w/ Std Hardware & Wheels</i>						
C60-M06-1302U-Z-S	3.16	6.31	1.38	2.62	45.06	6.00
C60-M06-1305U-Z-S	3.16	6.31	1.38	5.00	45.06	6.69
C60-M06-2702U-Z-S	3.16	6.31	2.75	2.62	45.06	6.00
C60-M06-2705U-Z-S	3.16	6.31	2.75	5.00	45.06	6.69
C60-M07-2002U-Z-S	3.94	7.88	2.00	2.62	45.06	6.00
C60-M07-2005U-Z-S	3.94	7.88	2.00	5.00	45.06	6.69
C60-M07-3502U-Z-S	3.94	7.88	3.56	2.62	45.06	6.00
C60-M07-3505U-Z-S	3.94	7.88	3.56	5.00	45.06	6.69
C60-M09-1005U-Z-S	4.94	9.88	1.00	5.00	45.06	6.69
C60-M09-1008U-Z-S	4.94	9.88	1.00	8.56	45.06	10.25
C60-M09-2505U-Z-S	4.94	9.88	2.56	5.00	45.06	6.69
C60-M09-2508U-Z-S	4.94	9.88	2.56	8.56	45.06	10.25
C60-M12-1105U-Z-S	6.30	12.59	1.19	5.00	45.06	6.69
C60-M12-1108U-Z-S	6.30	12.59	1.19	8.56	45.06	10.25
C60-M12-3105U-Z-S	6.30	12.59	3.12	5.00	45.06	6.69
C60-M12-3108U-Z-S	6.30	12.59	3.12	8.56	45.06	10.25

Note: Rail Mounted Junction Boxes are available.
See "Accessories" section at back of catalog.