

# GLEASON Beam•Master™

# SERIES I110-c

## For ROUND Cable or Hose

- SINGLE, DOUBLE, OR TRIPLE TIER CLIP DESIGN
- FLANGED 1.60" DIA. STEEL WHEELS STANDARD
- ANTI-LIFT ROLLERS STANDARD
- SEALED BALL BEARINGS STANDARD

- MAX CABLE/HOSE O.D. = 2.38"
- MAX TROLLEY LOAD = 150 lbs.
- TRAVEL SPEEDS TO 350 fpm
- ACCELERATION—Consult us if over 2.0 ft/sec<sup>2</sup>.
- TRAVEL LENGTHS UNLIMITED

## Standard Trolley Design

- Flanged 1.61" dia. steel wheels
- Anti-lift rollers
- Sealed bearings are pre-lubricated for life
- Tow trolley included as standard
- Zinc plated hardware
- Orange baked polyester powder finish
- Heavy duty bumpers
- Typical mounting on S3 or larger beams – contact us for special situations
- Cable/hose clips are adjustable †



ANTI-LIFT ROLLERS INCLUDED

**S**

STEEL FLANGED WHEELS



ALL MAIN BEARINGS ARE SEALED AND USE PRECISION BALL BEARINGS

## Model Number Explained

For STANDARD DESIGN, specific model numbers are on the following page.

| TYPE   | Standard<br>CLAMP<br>STYLE | Intermediate<br>NO. OF<br>TIERS (CLIPS) | Trolley*<br>CLIP O.D.<br>CODE † | ITEM | Std. Hdw.<br>HARDWARE<br>MATERIAL | Std. Wheels**<br>WHEEL<br>MATERIAL   | Your Beam   |
|--|----------------------------|---|---------------------------------|------|-----------------------------------|--------------------------------------|---|
| #I110  | C                          | 1                                       | 1                               | I    | Z                                 | S                                    | <input type="text"/> <input type="text"/> <input type="text"/> x <input type="text"/> <input type="text"/> <input type="text"/> . <input type="text"/> <input type="text"/> |
| Chosen by computer   |                            |   |                                 |      | Option you select                 |                                      | Minimum Beam Height = 3"  |
| † CLIP O.D. CODES: 1 = 0.31-0.59 IN.; 2 = 0.60-0.94 IN.; 3 = 0.95-1.25 IN.<br>* Example above is for INTERMEDIATE TROLLEY (I) Use same option changes (at right) for other components as required. |                            |   |                                 |      | <b>S</b><br>STAINLESS             | <b>B</b><br>BRONZE <b>N</b><br>NYLON | **Not applicable to end clamps  |

## Option Design Features

| CODE                     | OPTION   |
|--------------------------|--|
| <b>N</b>                 | FLANGED NYLON MAIN WHEELS WITH STEEL ANTI-LIFT ROLLERS |
| <b>B</b>                 | BRONZE MAIN WHEELS WITH BRONZE ANTI-LIFT WHEELS        |
| <b>S</b>                 | STAINLESS STEEL HARDWARE                               |
| <input type="checkbox"/> | OTHER FINISHES AVAILABLE – PLEASE CONTACT US           |
| <input type="checkbox"/> | PRE-ASSEMBLY ON SHIPPING FRAME AVAILABLE               |



**B**

BRONZE FLANGED WHEELS



**N**

NYLON FLANGED WHEELS

BRONZE ANTI-LIFT ROLLERS    STEEL ANTI-LIFT ROLLERS

## Accessories

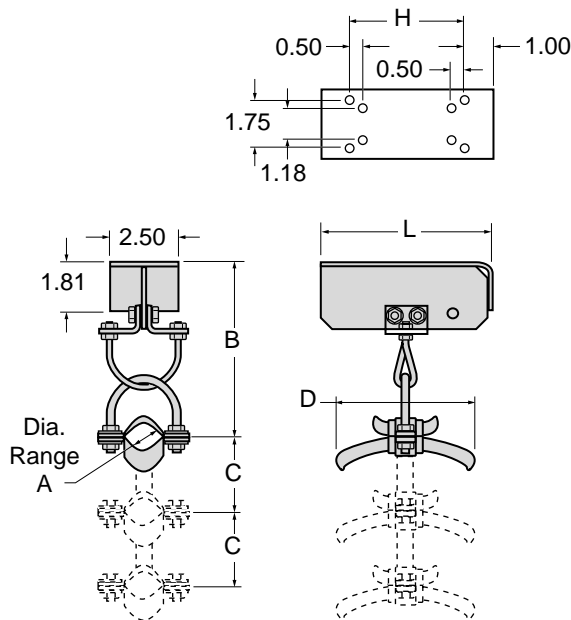
See detail pages at back of catalog

- CABLE CLAMPS
- CABLE, ROUND OR FLAT; HOSE
- TERMINAL BOX(ES)
- TY-RAPS
- CABLE GLANDS FOR SINGLE CABLES OR GROUPS
- TERMINAL BLOCKS
- TOW CHAINS

# Series I110-c Components & Dimensions

For ROUND Cable or Hose

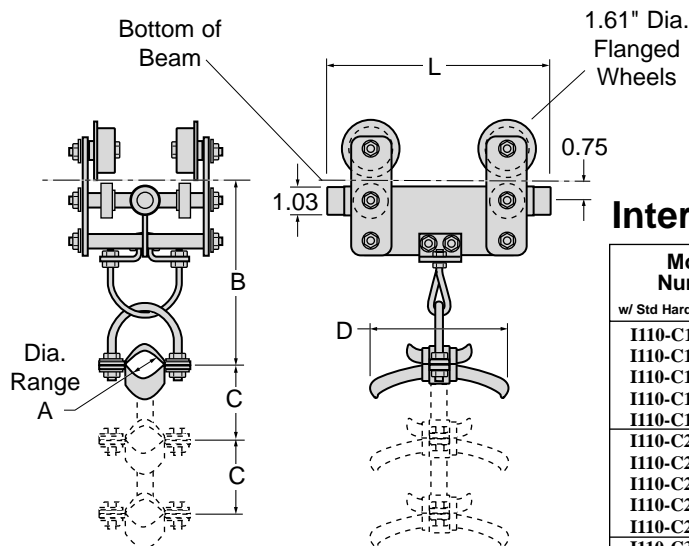
All dimensions in inches unless otherwise specified.



## End Clip *One Required*

| Model Number<br>w/ Std Hardware | No. Tiers | Cable/Hose O.D. Range<br>A | B    | Cable Centers<br>C | Clip Length<br>D | Trolley Length<br>L | Bolts<br>H |
|---------------------------------|-----------|----------------------------|------|--------------------|------------------|---------------------|------------|
| I110-C11E-Z-S                   | 1         | 0.31 - 0.59                | 3.82 | —                  | 2.75             | 6.16                | 4.94       |
| I110-C12E-Z-S                   | 1         | 0.60 - 0.94                | 3.94 | —                  | 3.86             | 6.16                | 4.94       |
| I110-C13E-Z-S                   | 1         | 0.95 - 1.25                | 7.19 | —                  | 5.59             | 6.16                | 4.94       |
| I110-C14E-Z-S                   | 1         | 1.26 - 1.69                | 7.94 | —                  | 6.89             | 10.56               | 8.56       |
| I110-C15E-Z-S                   | 1         | 1.70 - 2.38                | 8.44 | —                  | 9.65             | 10.56               | 8.56       |
| I110-C21E-Z-S                   | 2         | 0.31 - 0.59                | 3.82 | 1.31               | 2.75             | 6.16                | 4.94       |
| I110-C22E-Z-S                   | 2         | 0.60 - 0.94                | 3.94 | 1.88               | 3.86             | 6.16                | 4.94       |
| I110-C23E-Z-S                   | 2         | 0.95 - 1.25                | 7.19 | 3.06               | 5.59             | 6.16                | 4.94       |
| I110-C24E-Z-S                   | 2         | 1.26 - 1.69                | 7.94 | 3.62               | 6.89             | 10.56               | 8.56       |
| I110-C25E-Z-S                   | 2         | 1.70 - 2.38                | 8.44 | 4.25               | 9.65             | 10.56               | 8.56       |
| I110-C31E-Z-S                   | 3         | 0.31 - 0.59                | 3.82 | 1.31               | 2.75             | 6.16                | 4.94       |
| I110-C32E-Z-S                   | 3         | 0.60 - 0.94                | 3.94 | 1.88               | 3.86             | 6.16                | 4.94       |
| I110-C33E-Z-S                   | 3         | 0.95 - 1.25                | 7.19 | 3.06               | 5.59             | 6.16                | 4.94       |
| I110-C34E-Z-S                   | 3         | 1.26 - 1.69                | 7.94 | 3.62               | 6.89             | 10.56               | 8.56       |
| I110-C35E-Z-S                   | 3         | 1.70 - 2.38                | 8.44 | 4.25               | 9.65             | 10.56               | 8.56       |

Fits all beam sizes.



## Intermediate Trolley *Quantity as Required*

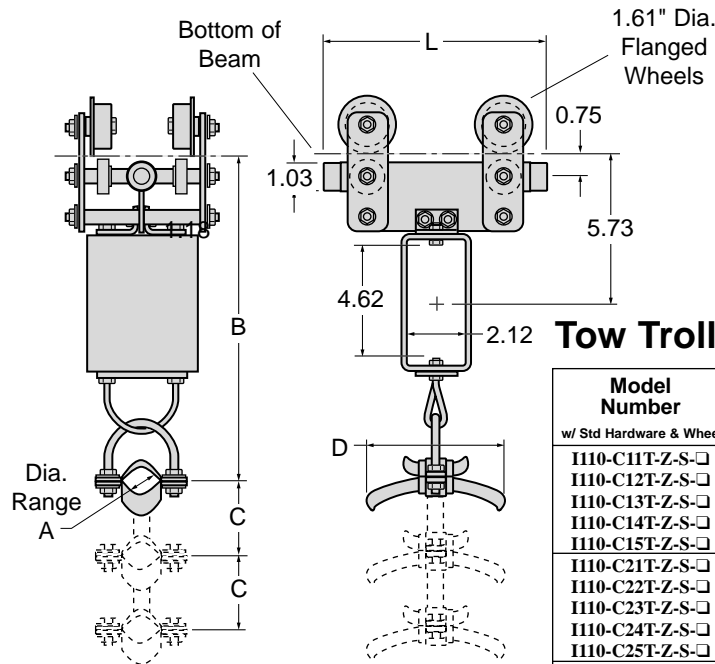
| Model Number<br>w/ Std Hardware & Wheels | No. Tiers | Cable/Hose O.D. Range<br>A | B    | Cable Centers<br>C | Clip Length<br>D | Trolley Length<br>L |
|--|-----------|----------------------------|------|--------------------|------------------|---------------------|
| I110-C11I-Z-S-□                          | 1         | 0.31 - 0.59                | 4.25 | —                  | 2.75             | 6.31                |
| I110-C12I-Z-S-□                          | 1         | 0.60 - 0.94                | 4.38 | —                  | 3.86             | 6.31                |
| I110-C13I-Z-S-□                          | 1         | 0.95 - 1.25                | 7.19 | —                  | 5.59             | 6.31                |
| I110-C14I-Z-S-□                          | 1         | 1.26 - 1.69                | 7.94 | —                  | 6.89             | 6.31                |
| I110-C15I-Z-S-□                          | 1         | 1.70 - 2.38                | 8.44 | —                  | 9.65             | 6.31                |
| I110-C21I-Z-S-□                          | 2         | 0.31 - 0.59                | 4.25 | 1.31               | 2.75             | 6.31                |
| I110-C22I-Z-S-□                          | 2         | 0.60 - 0.94                | 4.38 | 1.88               | 3.86             | 6.31                |
| I110-C23I-Z-S-□                          | 2         | 0.95 - 1.25                | 7.19 | 3.06               | 5.59             | 6.31                |
| I110-C24I-Z-S-□                          | 2         | 1.26 - 1.69                | 7.94 | 3.62               | 6.89             | 6.31                |
| I110-C25I-Z-S-□                          | 2         | 1.70 - 2.38                | 8.44 | 4.25               | 9.65             | 6.31                |
| I110-C31I-Z-S-□                          | 3         | 0.31 - 0.59                | 4.25 | 1.31               | 2.75             | 6.31                |
| I110-C32I-Z-S-□                          | 3         | 0.60 - 0.94                | 4.38 | 1.88               | 3.86             | 6.31                |
| I110-C33I-Z-S-□                          | 3         | 0.95 - 1.25                | 7.19 | 3.06               | 5.59             | 6.31                |
| I110-C34I-Z-S-□                          | 3         | 1.26 - 1.69                | 7.94 | 3.62               | 6.89             | 6.31                |
| I110-C35I-Z-S-□                          | 3         | 1.70 - 2.38                | 8.44 | 4.25               | 9.65             | 6.31                |

Your beam size must be added to complete model number.  
See previous pages.

# Series I110-c Components & Dimensions, con't.

For ROUND Cable or Hose

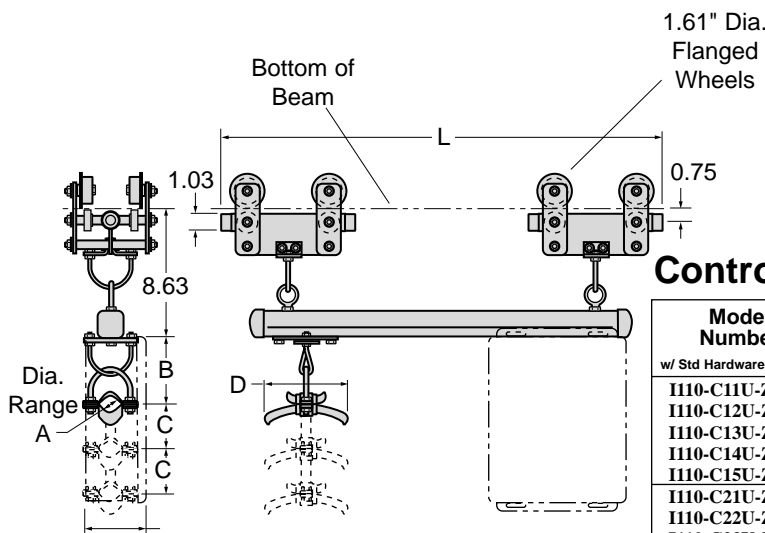
All dimensions in inches unless otherwise specified.



## Tow Trolley *Standard...One Required*

| Model Number                        | No. Tiers | Cable/Hose O.D. Range | B     | Cable Centers C | Clip Length D | Trolley Length L |
|-------------------------------------|-----------|-----------------------|-------|-----------------|---------------|------------------|
| <i>w/ Std Hardware &amp; Wheels</i> |           |                       |       |                 |               |                  |
| I110-C11T-Z-S-□                     | 1         | 0.31 - 0.59           | 9.32  | -               | 2.75          | 7.88             |
| I110-C12T-Z-S-□                     | 1         | 0.60 - 0.94           | 9.44  | -               | 3.86          | 7.88             |
| I110-C13T-Z-S-□                     | 1         | 0.95 - 1.25           | 12.69 | -               | 5.59          | 7.88             |
| I110-C14T-Z-S-□                     | 1         | 1.26 - 1.69           | 13.44 | -               | 6.89          | 7.88             |
| I110-C15T-Z-S-□                     | 1         | 1.70 - 2.38           | 13.94 | -               | 9.65          | 7.88             |
| I110-C21T-Z-S-□                     | 2         | 0.31 - 0.59           | 9.32  | 1.31            | 2.75          | 7.88             |
| I110-C22T-Z-S-□                     | 2         | 0.60 - 0.94           | 9.44  | 1.88            | 3.86          | 7.88             |
| I110-C23T-Z-S-□                     | 2         | 0.95 - 1.25           | 12.69 | 3.06            | 5.59          | 7.88             |
| I110-C24T-Z-S-□                     | 2         | 1.26 - 1.69           | 13.44 | 3.62            | 6.89          | 7.88             |
| I110-C25T-Z-S-□                     | 2         | 1.70 - 2.38           | 13.94 | 4.25            | 9.65          | 7.88             |
| I110-C31T-Z-S-□                     | 3         | 0.31 - 0.59           | 9.32  | 1.31            | 2.75          | 7.88             |
| I110-C32T-Z-S-□                     | 3         | 0.60 - 0.94           | 9.44  | 1.88            | 3.86          | 7.88             |
| I110-C33T-Z-S-□                     | 3         | 0.95 - 1.25           | 12.69 | 3.06            | 5.59          | 7.88             |
| I110-C34T-Z-S-□                     | 3         | 1.26 - 1.69           | 13.44 | 3.62            | 6.89          | 7.88             |
| I110-C35T-Z-S-□                     | 3         | 1.70 - 2.38           | 13.94 | 4.25            | 9.65          | 7.88             |

Your beam size must be added to complete model number. See previous pages.



## Control Unit Trolley *Optional Quantity as Required*

| Model Number                        | No. Tiers | Cable/Hose O.D. Range | B    | Cable Centers C | Clip Length D | Trolley Length L | Overall Width W |
|-------------------------------------|-----------|-----------------------|------|-----------------|---------------|------------------|-----------------|
| <i>w/ Std Hardware &amp; Wheels</i> |           |                       |      |                 |               |                  |                 |
| I110-C11U-Z-S-□                     | 1         | 0.31 - 0.59           | 1.12 | -               | 2.75          | 33.50            | 6.00            |
| I110-C12U-Z-S-□                     | 1         | 0.60 - 0.94           | 1.25 | -               | 3.86          | 33.50            | 6.00            |
| I110-C13U-Z-S-□                     | 1         | 0.95 - 1.25           | 3.99 | -               | 5.59          | 33.50            | 6.00            |
| I110-C14U-Z-S-□                     | 1         | 1.26 - 1.69           | 4.25 | -               | 6.89          | 33.50            | 6.00            |
| I110-C15U-Z-S-□                     | 1         | 1.70 - 2.38           | 4.88 | -               | 9.65          | 33.50            | 6.00            |
| I110-C21U-Z-S-□                     | 2         | 0.31 - 0.59           | 1.12 | 1.31            | 2.75          | 33.50            | 6.00            |
| I110-C22U-Z-S-□                     | 2         | 0.60 - 0.94           | 1.25 | 1.88            | 3.86          | 33.50            | 6.00            |
| I110-C23U-Z-S-□                     | 2         | 0.95 - 1.25           | 3.99 | 3.06            | 5.59          | 33.50            | 6.00            |
| I110-C24U-Z-S-□                     | 2         | 1.26 - 1.69           | 4.25 | 3.62            | 6.89          | 33.50            | 6.00            |
| I110-C25U-Z-S-□                     | 2         | 1.70 - 2.38           | 4.88 | 4.25            | 9.65          | 33.50            | 6.00            |
| I110-C31U-Z-S-□                     | 3         | 0.31 - 0.59           | 1.12 | 1.31            | 2.75          | 33.50            | 6.00            |
| I110-C32U-Z-S-□                     | 3         | 0.60 - 0.94           | 1.25 | 1.88            | 3.86          | 33.50            | 6.00            |
| I110-C33U-Z-S-□                     | 3         | 0.95 - 1.25           | 3.99 | 3.06            | 5.59          | 33.50            | 6.00            |
| I110-C34U-Z-S-□                     | 3         | 1.26 - 1.69           | 4.25 | 3.62            | 6.89          | 33.50            | 6.00            |
| I110-C35U-Z-S-□                     | 3         | 1.70 - 2.38           | 4.88 | 4.25            | 9.65          | 33.50            | 6.00            |

Your beam size must be added to complete model number. See previous pages.

Note: Rail Mounted Junction Boxes are available. See "Accessories" section at back of catalog.