

GLEASON Beam•Master™ SERIES I110-F

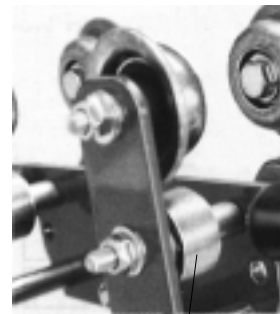
For FLAT Cable

- FLAT CLAMP DESIGN.
- FLANGED 1.60" DIA. STEEL WHEELS STANDARD
- ANTI-LIFT ROLLERS STANDARD
- SEALED BALL BEARINGS STANDARD

- MAX SADDLE DIAMETER = 4.94"
- MAX TROLLEY LOAD = 150 lbs.
- TRAVEL SPEEDS TO 350 fpm
- ACCELERATION—Consult us if over 2.0 ft/sec².
- TRAVEL LENGTHS UNLIMITED

Standard Trolley Design

- Flanged 1.61" dia. steel wheels
- Anti-lift rollers
- Sealed bearings are pre-lubricated for life
- Tow trolley included as standard
- Zinc plated hardware
- Orange baked polyester powder finish
- Heavy duty bumpers
- Typical mounting on S3 or larger beams – contact us for special situations
- Cable clamp allows cable pkg height to vary up to 0.12"



ANTI-LIFT ROLLERS INCLUDED

S

STEEL FLANGED WHEELS



ALL MAIN BEARINGS ARE SEALED AND USE PRECISION BALL BEARINGS

Model Number Explained

For STANDARD DESIGN, specific model numbers are on the following page.

Standard Intermediate Trolley*							Std. Hdw.	Std. Wheels**	Your Beam
TYPE	CLAMP STYLE	SADDLE DIAMETER	WINDOW HEIGHT	WINDOW WIDTH	ITEM	HARDWARE MATERIAL	WHEEL MATERIAL		
#I110	F	03	- 15	02	I	Z	S	<input type="text"/> <input type="text"/> <input type="text"/> x <input type="text"/> <input type="text"/> <input type="text"/>	
Chosen by computer						Hdwr Option	Wheel Options	Minimum Beam Height = 3"	
Options you select						S STAINLESS	B BRONZE N NYLON	**Not applicable to end clamps	

* Example above is for INTERMEDIATE TROLLEY (I) Use same option changes (at right) for other components as required.

Option Design Features

CODE	OPTION
N	FLANGED NYLON MAIN WHEELS WITH STEEL ANTI-LIFT ROLLERS
B	BRONZE MAIN WHEELS WITH BRONZE ANTI-LIFT WHEELS
S	STAINLESS STEEL HARDWARE
<input type="checkbox"/>	OTHER FINISHES AVAILABLE – PLEASE CONTACT US
<input type="checkbox"/>	PRE-ASSEMBLY ON SHIPPING FRAME AVAILABLE



B

BRONZE FLANGED WHEELS



N

NYLON FLANGED WHEELS

BRONZE ANTI-LIFT ROLLERS

STEEL ANTI-LIFT ROLLERS

Accessories

See detail pages at back of catalog

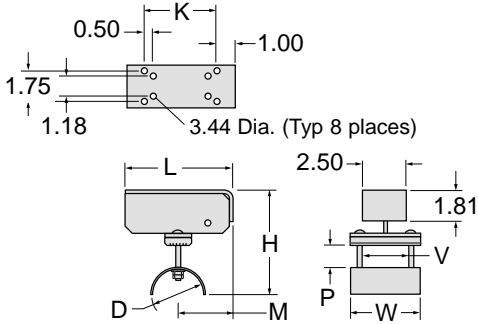
- CABLE CLAMPS
- TY-RAPS
- FLAT CABLE
- CABLE GLANDS FOR SINGLE CABLES OR GROUPS
- TOW CHAINS
- TERMINAL BOX(ES)
- TERMINAL BLOCKS

Series I110-F Components & Dimensions

For ROUND Cable or Hose

All dimensions in inches unless otherwise specified.

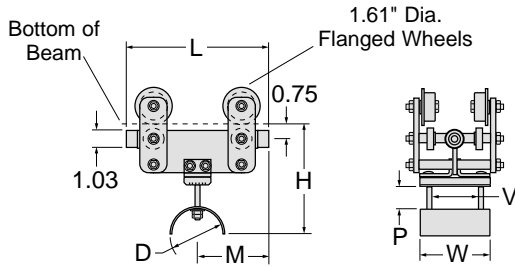
End Clamp *One Required*



Model Number w/ Std Hardware	Saddle Radius R	Saddle Dia. D	Window Height P	Window Width V	Overall Length L	Overall Width W	Below Beam H	Saddle Locator M	Bolts K
I110-F03-1502E-Z	1.56	3.12	1.50	2.62	6.16	3.94	5.75	3.16	4.16
I110-F03-1505E-Z	1.56	3.12	1.50	5.00	6.16	6.31	5.75	3.16	4.16
I110-F03-2302E-Z	1.56	3.12	2.31	2.62	6.94	3.94	6.56	3.94	4.94
I110-F03-2305E-Z	1.56	3.12	2.31	5.00	6.94	6.31	6.56	3.94	4.94
I110-F04-0602E-Z	2.47	4.94	0.62	2.62	6.16	3.94	5.78	3.16	4.16
I110-F04-0605E-Z	2.47	4.94	0.62	5.00	6.16	6.31	5.78	3.16	4.16
I110-F04-1302E-Z	2.47	4.94	1.38	2.62	6.94	3.94	6.53	3.94	4.94
I110-F04-1305E-Z	2.47	4.94	1.38	5.00	6.94	6.31	6.53	3.94	4.94
I110-F04-2302E-Z	2.47	4.94	2.38	2.62	9.19	3.94	7.53	4.94	7.19
I110-F04-2305E-Z	2.47	4.94	2.38	5.00	9.19	6.31	7.53	4.94	7.19

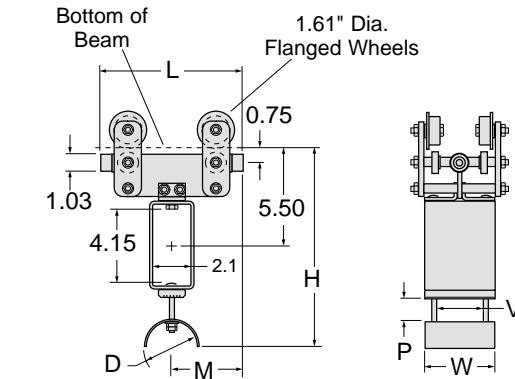
Fits all beam sizes.

Intermediate Trolley *Quantity as Required*



Model Number w/ Std Hardware & Wheels	Saddle Radius R	Saddle Dia. D	Window Height P	Window Width V	Overall Length L	Overall Width W	Below Beam H	Saddle Locator M
I110-F03-1502I-Z-S-□	1.56	3.12	1.50	2.62	6.31	3.94	6.50	3.16
I110-F03-1505I-Z-S-□	1.56	3.12	1.50	5.00	6.31	6.31	6.50	3.16
I110-F03-2302I-Z-S-□	1.56	3.12	2.31	2.62	7.88	3.94	7.31	3.94
I110-F03-2305I-Z-S-□	1.56	3.12	2.31	5.00	7.88	6.31	7.31	3.94
I110-F04-0602I-Z-S-□	2.47	4.94	0.62	2.62	6.31	3.94	6.53	3.16
I110-F04-0605I-Z-S-□	2.47	4.94	0.62	5.00	6.31	6.31	6.53	3.16
I110-F04-1302I-Z-S-□	2.47	4.94	1.38	2.62	7.88	3.94	7.31	3.94
I110-F04-1305I-Z-S-□	2.47	4.94	1.38	5.00	7.88	6.31	7.31	3.94
I110-F04-2302I-Z-S-□	2.47	4.94	2.38	2.62	9.88	3.94	8.31	4.94
I110-F04-2305I-Z-S-□	2.47	4.94	2.38	5.00	9.88	6.31	8.31	4.94

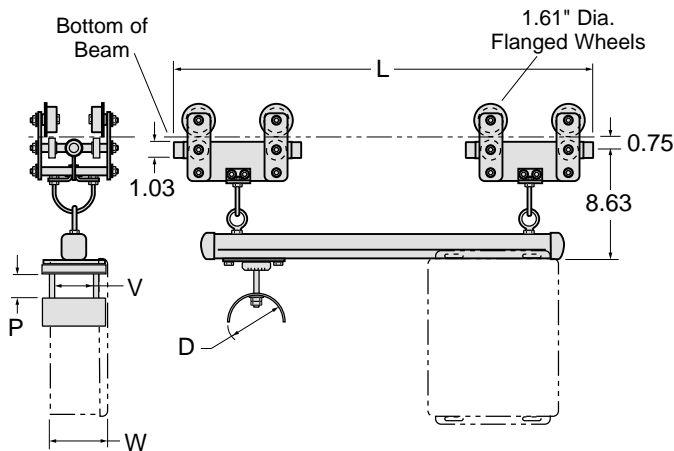
Your beam size must be added to complete model number.
See previous pages.



Intermediate Trolley *Quantity as Required*

Model Number w/ Std Hardware & Wheels	Saddle Radius R	Saddle Dia. D	Window Height P	Window Width V	Overall Length L	Overall Width W	Below Beam H	Saddle Locator M
I110-F03-1502T-Z-S-□	1.56	3.12	1.50	2.62	6.31	3.94	11.31	3.16
I110-F03-1505T-Z-S-□	1.56	3.12	1.50	5.00	6.31	6.31	11.31	3.16
I110-F03-2302T-Z-S-□	1.56	3.12	2.31	2.62	7.88	3.94	12.12	3.94
I110-F03-2305T-Z-S-□	1.56	3.12	2.31	5.00	7.88	6.31	12.12	3.94
I110-F04-0602T-Z-S-□	2.47	4.94	0.62	2.62	6.31	3.94	11.34	3.16
I110-F04-0605T-Z-S-□	2.47	4.94	0.62	5.00	6.31	6.31	11.34	3.16
I110-F04-1302T-Z-S-□	2.47	4.94	1.38	2.62	7.88	3.94	12.10	3.94
I110-F04-1305T-Z-S-□	2.47	4.94	1.38	5.00	7.88	6.31	12.10	3.94
I110-F04-2302T-Z-S-□	2.47	4.94	2.38	2.62	9.88	3.94	13.10	4.94
I110-F04-2305T-Z-S-□	2.47	4.94	2.38	5.00	9.88	6.31	13.10	4.94

Your beam size must be added to complete model number.
See previous pages.



Optional Control Unit Trolley *Quantity as Required*

Model Number w/ Std Hardware & Wheels	Saddle Radius R	Saddle Dia. D	Window Height P	Window Width V	Overall Length L	Overall Width W
I110-F03-1502U-Z-S-□	1.56	3.12	1.50	2.62	33.50	6.00
I110-F03-1505U-Z-S-□	1.56	3.12	1.50	5.00	33.50	6.31
I110-F03-2302U-Z-S-□	1.56	3.12	2.31	2.62	33.50	6.00
I110-F03-2305U-Z-S-□	1.56	3.12	2.31	5.00	33.50	6.31
I110-F04-0602U-Z-S-□	2.47	4.94	0.62	2.62	33.50	6.00
I110-F04-0605U-Z-S-□	2.47	4.94	0.62	5.00	33.50	6.31
I110-F04-1302U-Z-S-□	2.47	4.94	1.38	2.62	33.50	6.00
I110-F04-1305U-Z-S-□	2.47	4.94	1.38	5.00	33.50	6.31
I110-F04-2302U-Z-S-□	2.47	4.94	2.38	2.62	33.50	6.00
I110-F04-2305U-Z-S-□	2.47	4.94	2.38	5.00	33.50	6.31

Your beam size must be added to complete model number.
See previous pages.