

GLEASON Beam•Master™ SERIES I110-M

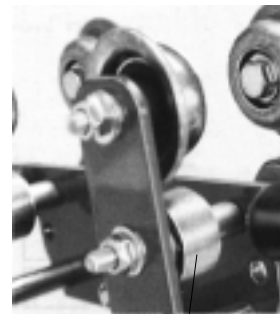
For MIXED Cable or Hose

- FLAT, ROUND OR MIXED CABLE/HOSE
- FLANGED 1.60" DIA. STEEL WHEELS STANDARD
- ANTI-LIFT ROLLERS STANDARD
- SEALED BALL BEARINGS STANDARD

- MAX SADDLE DIAMETER = 12.59"
- MAX TROLLEY LOAD = 150 lbs.
- TRAVEL SPEEDS TO 350 fpm
- ACCELERATION—Consult us if over 2.0 ft/sec².
- TRAVEL LENGTHS UNLIMITED

Standard Trolley Design

- Flanged 1.61" dia. steel wheels
- Anti-lift rollers
- Sealed bearings are pre-lubricated for life
- Tow trolley included as standard
- Zinc plated hardware
- Orange baked polyester powder finish
- Heavy duty bumpers
- Typical mounting on S3 or larger beams – contact us for special situations
- Cable clamp allows cable pkg height to vary up to 0.25"



ANTI-LIFT ROLLERS INCLUDED

S

STEEL FLANGED WHEELS



ALL MAIN BEARINGS ARE SEALED AND USE PRECISION BALL BEARINGS

Model Number Explained

For STANDARD DESIGN, specific model numbers are on the following page.

Standard Intermediate Trolley*						Std. Hdwr.	Std. Wheels**	Your Beam
TYPE	CLAMP STYLE	SADDLE DIAMETER	WINDOW HEIGHT	WINDOW WIDTH	ITEM	HARDWARE MATERIAL	WHEEL MATERIAL	
#I110	M	06	- 06	02	I	Z	S	<input type="text"/> <input type="text"/> <input type="text"/> x <input type="text"/> <input type="text"/> <input type="text"/>
Chosen by computer						ZINC PLATED	STEEL	Minimum Beam Height = 3"
Options You select						Hdwr Option	Wheel Options	**Not applicable to end clamps
* Example above is for INTERMEDIATE TROLLEY (I) Use same option changes (at right) for other components as required.						S STAINLESS	B BRONZE N NYLON	

Option Design Features

CODE	OPTION
N	FLANGED NYLON MAIN WHEELS WITH STEEL ANTI-LIFT ROLLERS
B	BRONZE MAIN WHEELS WITH BRONZE ANTI-LIFT WHEELS
S	STAINLESS STEEL HARDWARE
<input type="checkbox"/>	OTHER FINISHES AVAILABLE – PLEASE CONTACT US
<input type="checkbox"/>	PRE-ASSEMBLY ON SHIPPING FRAME AVAILABLE



B

BRONZE FLANGED WHEELS



N

NYLON FLANGED WHEELS

BRONZE ANTI-LIFT ROLLERS

STEEL ANTI-LIFT ROLLERS

Accessories

See detail pages at back of catalog

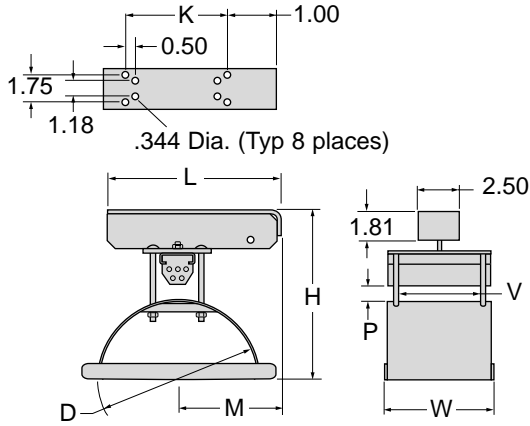
- CABLE CLAMPS
- TY-RAPS
- TOW CHAINS
- CABLE, ROUND OR FLAT; HOSE
- CABLE GLANDS FOR SINGLE CABLES OR GROUPS
- TERMINAL BOX(ES)
- TERMINAL BLOCKS

Series I110-M Components & Dimensions

For MIXED Cable or Hose

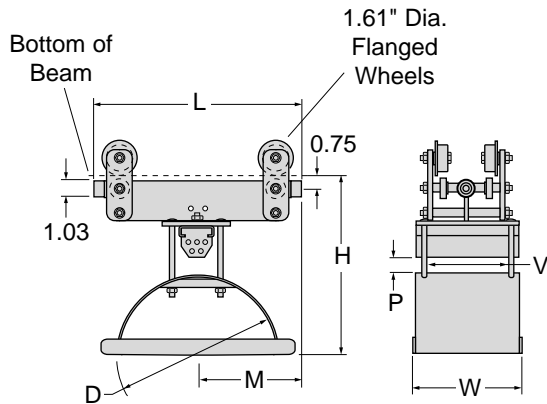
All dimensions in inches unless otherwise specified.

End Clamp *One Required*



Model Number w/ Std Hardware	Saddle Radius R	Saddle Dia. D	Window Height P	Window Width V	Overall Length L	Overall Width W	Below Beam H	Saddle Locator M	Bolts K
I110-M06-0602E-Z	3.16	6.31	0.69	2.62	6.94	3.94	6.53	3.94	4.94
I110-M06-0605E-Z	3.16	6.31	0.69	5.00	6.94	6.31	6.53	3.94	4.94
I110-M06-1602E-Z	3.16	6.31	1.69	2.62	9.19	3.94	7.53	4.94	7.19
I110-M06-1605E-Z	3.16	6.31	1.69	5.00	9.19	6.31	7.53	4.94	7.19
I110-M06-2202E-Z	3.16	6.31	2.25	2.62	9.75	3.94	8.09	5.50	7.75
I110-M06-2205E-Z	3.16	6.31	2.25	5.00	9.75	6.31	8.09	5.50	7.75
I110-M07-0802E-Z	3.94	7.88	0.81	2.62	9.19	4.31	7.44	4.94	7.19
I110-M07-0805E-Z	3.94	7.88	0.81	5.00	9.19	6.69	7.44	4.94	7.19
I110-M07-0806E-Z	3.94	7.88	0.81	6.56	9.19	8.25	7.44	4.94	7.19
I110-M07-0808E-Z	3.94	7.88	0.81	8.56	9.19	10.25	7.44	4.94	7.19
I110-M07-1302E-Z	3.94	7.88	1.38	2.62	9.75	4.31	8.00	5.50	7.75
I110-M07-1305E-Z	3.94	7.88	1.38	5.00	9.75	6.69	8.00	5.50	7.75
I110-M07-1306E-Z	3.94	7.88	1.38	6.56	9.75	8.25	8.00	5.50	7.75
I110-M07-1308E-Z	3.94	7.88	1.38	8.56	9.75	10.25	8.00	5.50	7.75
I110-M07-2102E-Z	3.94	7.88	2.19	2.62	9.75	4.31	8.81	6.30	8.56
I110-M07-2105E-Z	3.94	7.88	2.19	5.00	10.56	6.69	8.81	6.30	8.56
I110-M07-2106E-Z	3.94	7.88	2.19	6.56	10.56	8.25	8.81	6.30	8.56
I110-M07-2108E-Z	3.94	7.88	2.19	8.56	10.56	10.25	8.81	6.30	8.56
I110-M09-1305E-Z	4.94	9.88	1.38	5.00	10.56	6.69	9.00	6.30	8.56
I110-M09-1306E-Z	4.94	9.88	1.38	6.56	10.56	8.25	9.00	6.30	8.56
I110-M09-1308E-Z	4.94	9.88	1.38	8.56	10.56	10.25	9.00	6.30	8.56
I110-M09-2705E-Z	4.94	9.88	2.75	5.00	12.12	6.69	10.38	7.88	10.12
I110-M09-2706E-Z	4.94	9.88	2.75	6.56	12.12	8.25	10.38	7.88	10.12
I110-M09-2708E-Z	4.94	9.88	2.75	8.56	12.12	10.25	10.38	7.88	10.12
I110-M12-1305E-Z	6.30	12.59	1.38	5.00	12.12	6.69	10.37	7.88	10.12
I110-M12-1306E-Z	6.30	12.59	1.38	6.56	12.12	8.25	10.37	7.88	10.12
I110-M12-1308E-Z	6.30	12.59	1.38	8.56	12.12	10.25	10.37	7.88	10.12

Fits all beam sizes.



Intermediate Trolley *Quantity as Required*

Model Number w/ Std Hardware & Wheels	Saddle Radius R	Saddle Dia. D	Window Height P	Window Width V	Overall Length L	Overall Width W	Below Beam H	Saddle Locator M
I110-M06-0602I-Z-S-□	3.16	6.31	0.69	2.62	7.88	3.94	8.73	3.94
I110-M06-0605I-Z-S-□	3.16	6.31	0.69	5.00	7.88	6.31	8.73	3.94
I110-M06-1602I-Z-S-□	3.16	6.31	1.69	2.62	9.88	3.94	9.73	4.94
I110-M06-1605I-Z-S-□	3.16	6.31	1.69	5.00	9.88	6.31	9.73	4.94
I110-M06-2202I-Z-S-□	3.16	6.31	2.25	2.62	11.00	3.94	10.28	5.50
I110-M06-2205I-Z-S-□	3.16	6.31	2.25	5.00	11.00	6.31	10.28	5.50
I110-M07-0802I-Z-S-□	3.94	7.88	0.81	2.62	9.88	4.31	9.63	4.94
I110-M07-0805I-Z-S-□	3.94	7.88	0.81	5.00	9.88	6.69	9.63	4.94
I110-M07-0806I-Z-S-□	3.94	7.88	0.81	6.56	9.88	8.25	9.63	4.94
I110-M07-0808I-Z-S-□	3.94	7.88	0.81	8.56	9.88	10.25	9.63	4.94
I110-M07-1302I-Z-S-□	3.94	7.88	1.38	2.62	11.00	4.31	10.19	5.50
I110-M07-1305I-Z-S-□	3.94	7.88	1.38	5.00	11.00	6.69	10.19	5.50
I110-M07-1306I-Z-S-□	3.94	7.88	1.38	6.56	11.00	8.25	10.19	5.50
I110-M07-1308I-Z-S-□	3.94	7.88	1.38	8.56	11.00	10.25	10.19	5.50
I110-M07-2102I-Z-S-□	3.94	7.88	2.19	2.62	12.59	4.31	11.00	6.30
I110-M07-2105I-Z-S-□	3.94	7.88	2.19	5.00	12.59	6.69	11.00	6.30
I110-M07-2106I-Z-S-□	3.94	7.88	2.19	6.56	12.59	8.25	11.00	6.30
I110-M07-2108I-Z-S-□	3.94	7.88	2.19	8.56	12.59	10.25	11.00	6.30
I110-M09-1305I-Z-S-□	4.94	9.88	1.38	5.00	12.59	6.69	11.19	6.30
I110-M09-1306I-Z-S-□	4.94	9.88	1.38	6.56	12.59	8.25	11.19	6.30
I110-M09-1308I-Z-S-□	4.94	9.88	1.38	8.56	12.59	10.25	11.19	6.30
I110-M09-2705I-Z-S-□	4.94	9.88	2.75	5.00	15.75	6.69	12.56	7.88
I110-M09-2706I-Z-S-□	4.94	9.88	2.75	6.56	15.75	8.25	12.56	7.88
I110-M09-2708I-Z-S-□	4.94	9.88	2.75	8.56	15.75	10.25	12.56	7.88
I110-M12-1305I-Z-S-□	6.30	12.59	1.38	5.00	15.75	6.69	12.56	7.88
I110-M12-1306I-Z-S-□	6.30	12.59	1.38	6.56	15.75	8.25	12.56	7.88
I110-M12-1308I-Z-S-□	6.30	12.59	1.38	8.56	15.75	10.25	12.56	7.88

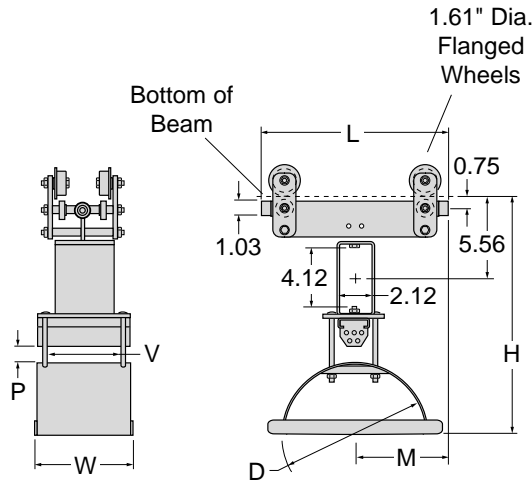
Your beam size must be added to complete model number.
See previous pages.

Series I110-M Components & Dimensions, con't.

For MIXED Cable or Hose

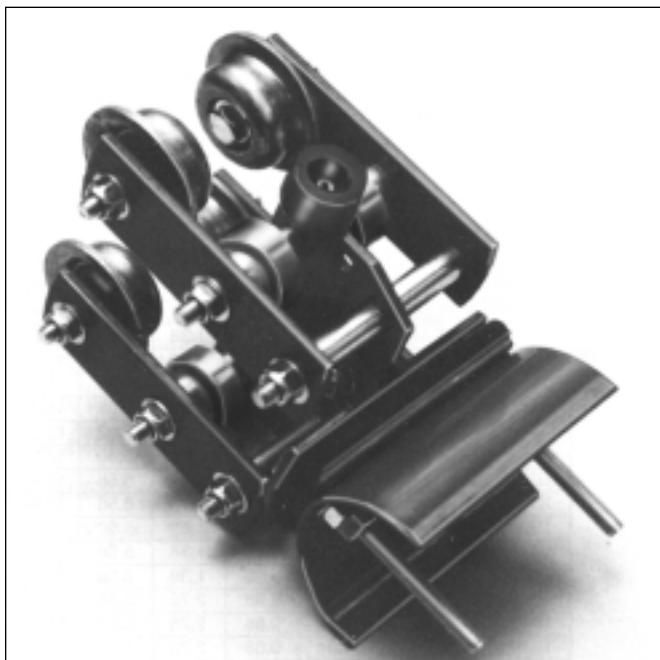
All dimensions in inches unless otherwise specified.

Tow Trolley *Standard...One Required*



Model Number <small>w/ Std Hardware & Wheels</small>	Saddle Radius R	Saddle Dia. D	Window Height P	Window Width V	Overall Length L	Overall Width W	Below Beam H	Saddle Locator M
I110-M06-0602T-Z-S-□	3.16	6.31	0.69	2.62	7.88	3.94	14.00	3.94
I110-M06-0605T-Z-S-□	3.16	6.31	0.69	5.00	7.88	6.31	14.00	3.94
I110-M06-1602T-Z-S-□	3.16	6.31	1.69	2.62	9.88	3.94	15.00	4.94
I110-M06-1605T-Z-S-□	3.16	6.31	1.69	5.00	9.88	6.31	15.00	4.94
I110-M06-2202T-Z-S-□	3.16	6.31	2.25	2.62	11.00	3.94	15.53	5.50
I110-M06-2205T-Z-S-□	3.16	6.31	2.25	5.00	11.00	6.31	15.53	5.50
I110-M07-0802T-Z-S-□	3.94	7.88	0.81	2.62	9.88	4.31	14.88	4.94
I110-M07-0805T-Z-S-□	3.94	7.88	0.81	5.00	9.88	6.69	14.88	4.94
I110-M07-0806T-Z-S-□	3.94	7.88	0.81	6.56	9.88	8.25	14.88	4.94
I110-M07-0808T-Z-S-□	3.94	7.88	0.81	8.56	9.88	10.25	14.88	4.94
I110-M07-1302T-Z-S-□	3.94	7.88	1.38	2.62	11.00	4.31	15.44	5.50
I110-M07-1305T-Z-S-□	3.94	7.88	1.38	5.00	11.00	6.69	15.44	5.50
I110-M07-1306T-Z-S-□	3.94	7.88	1.38	6.56	11.00	8.25	15.44	5.50
I110-M07-1308T-Z-S-□	3.94	7.88	1.38	8.56	11.00	10.25	15.44	5.50
I110-M07-2102T-Z-S-□	3.94	7.88	2.19	2.62	12.59	4.31	16.25	6.30
I110-M07-2105T-Z-S-□	3.94	7.88	2.19	5.00	12.59	6.69	16.25	6.30
I110-M07-2106T-Z-S-□	3.94	7.88	2.19	6.56	12.59	8.25	16.25	6.30
I110-M07-2108T-Z-S-□	3.94	7.88	2.19	8.56	12.59	10.25	16.25	6.30
I110-M09-1305T-Z-S-□	4.94	9.88	1.38	5.00	12.59	6.69	16.44	6.30
I110-M09-1306T-Z-S-□	4.94	9.88	1.38	6.56	12.59	8.25	16.44	6.30
I110-M09-1308T-Z-S-□	4.94	9.88	1.38	8.56	12.59	10.25	16.44	6.30
I110-M09-2705T-Z-S-□	4.94	9.88	2.75	5.00	15.75	6.69	17.81	7.88
I110-M09-2706T-Z-S-□	4.94	9.88	2.75	6.56	15.75	8.25	17.81	7.88
I110-M09-2708T-Z-S-□	4.94	9.88	2.75	8.56	15.75	10.25	17.81	7.88
I110-M12-1305T-Z-S-□	6.30	12.59	1.38	5.00	15.75	6.69	17.81	7.88
I110-M12-1306T-Z-S-□	6.30	12.59	1.38	6.56	15.75	8.25	17.81	7.88
I110-M12-1308T-Z-S-□	6.30	12.59	1.38	8.56	15.75	10.25	17.81	7.88

Your beam size must be added to complete model number.
See previous pages.



Typical I110-F intermediate Trolley