

GLEASON Beam • Master™ SERIES I120-s

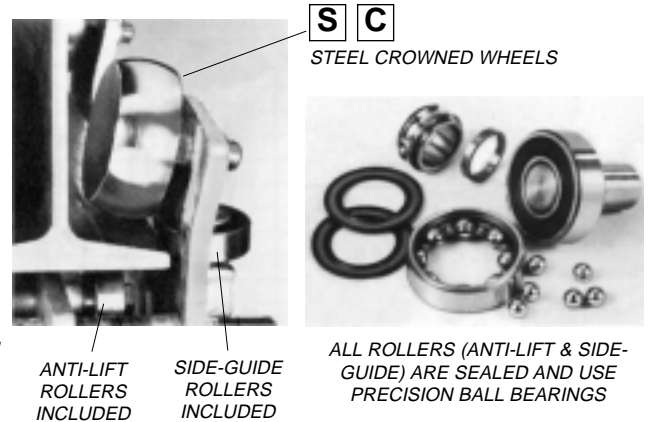
SINGLE Clamp

- FLAT, ROUND OR MIXED CABLE/HOSE
- CROWNED 2.48" DIA. STEEL WHEELS STANDARD
- ANTI-LIFT & SIDE GUIDE ROLLERS STANDARD
- SEALED BALL BEARINGS STANDARD

- MAX SADDLE DIAMETER = 18.12"
- MAX TROLLEY LOAD = 450 lbs.
- TRAVEL SPEEDS TO 500 fpm
- ACCELERATION—*Consult us if over 2.0 ft/sec².*
- TRAVEL LENGTHS UNLIMITED

Standard Trolley Design

- *Crowned 2.48" steel wheels with side guide rollers*
- *Anti-lift rollers*
- *Sealed bearings are pre-lubricated for life*
- *Tow trolley included as standard*
- *Zinc plated hardware*
- *Orange baked polyester powder finish*
- *Heavy duty bumpers*
- *Typical mounting on S5 or larger beams (S3 or larger with optional flanged wheels)— contact us for special situations*
- *Cable clamp allows cable pkg height to vary up to 0.63"*



Model Number Explained

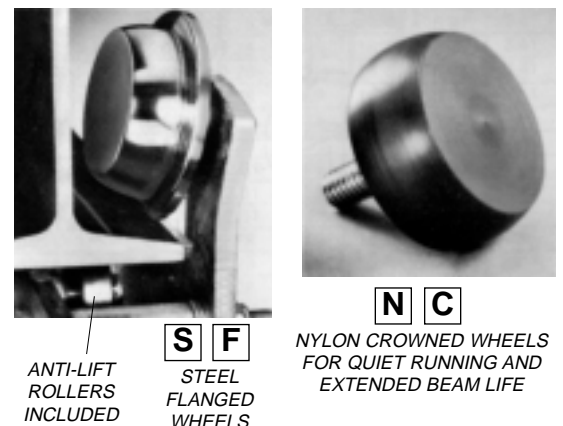
For STANDARD DESIGN, specific model numbers are on the following page.

Standard Intermediate Trolley*							Std. Hdwr.	Std. Wheels**	Your Beam**	
TYPE	CLAMP STYLE	SADDLE DIAMETER	WINDOW HEIGHT	WINDOW WIDTH	ITEM	HARDWARE MATERIAL	WHEEL MAT'L	WHEEL STYLE	WHEEL LUBE	
#I120	S	06	- 30	04	I	Z	S	C	P	□ □ □ x □ □ . □
Chosen by computer						Hdwr Option	Wheel Options			Minimum Beam Height = 5.0" (3" with optional flanged wheels)
Options You select						S STAINLESS	N NYLON	F FLANGED	G REGREASE	**Not applicable to end clamps

* Example above is for INTERMEDIATE TROLLEY (I) Use same option changes (at right) for other components as required.

Optional Design Features

CODE	OPTION
F	FLANGED (STEEL ONLY) WHEELS WITH ANTI-LIFT ROLLERS
N	CROWNED NYLON WHEELS WITH SIDE GUIDE ROLLERS
G	RE-GREASABLE BEARINGS ON MAIN WHEELS
S	STAINLESS STEEL HARDWARE
□	OTHER FINISHES AVAILABLE – PLEASE CONTACT US
□	PRE-ASSEMBLY ON SHIPPING FRAME AVAILABLE



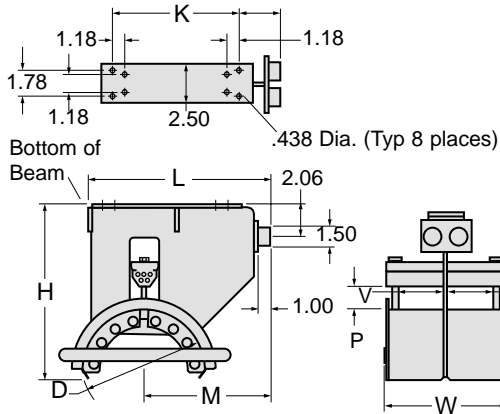
Accessories See detail pages at back of catalog

- CABLE CLAMPS
- SHOCK CORDS
- CABLE, ROUND OR FLAT; HOSE
- TERMINAL BOX(ES)
- TY-RAPS
- CABLE GLANDS FOR SINGLE CABLES OR GROUPS
- TOW ROPES
- TERMINAL BLOCKS

Series I120-s Components & Dimensions

Single Clamp Design—Contact us for multiple tier requirements

All dimensions in inches unless otherwise specified.

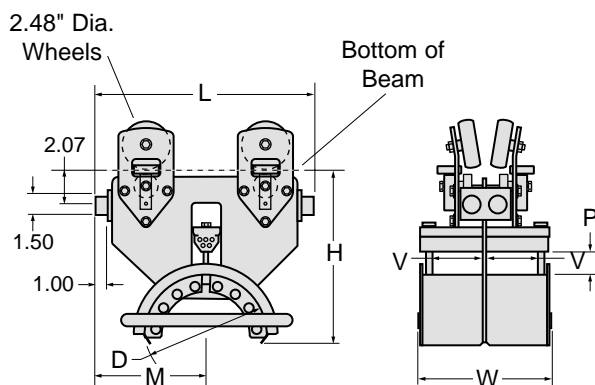


End Clamp *One Required*

Model Number w/ Std Hardware	Saddle Radius R	Saddle Dia. D	Window Height P	Window Width* V	Overall Length L	Overall Width W	Below Beam H	Saddle Locator M	Mtg. Locator J	Bolts K
I120-S06-3004E-Z	3.16	6.31	3.00	4.38	10.38	11.44	10.85	6.93	3.63	5.50
I120-S06-3006E-Z	3.16	6.31	3.00	6.19	10.38	15.06	10.85	6.93	3.63	5.50
I120-S10-1004E-Z	5.13	10.25	1.06	4.38	11.44	11.44	10.85	8.00	3.50	6.69
I120-S10-1006E-Z	5.13	10.25	1.06	6.19	11.44	15.06	10.85	8.00	3.50	6.69
I120-S10-3304E-Z	5.13	10.25	3.38	4.38	12.75	11.44	13.22	9.31	4.81	6.69
I120-S10-3306E-Z	5.13	10.25	3.38	6.19	12.75	15.06	13.22	9.31	4.81	6.69
I120-S14-1404E-Z	7.06	14.12	1.44	4.38	15.31	11.44	13.22	10.72	3.44	10.63
I120-S14-1406E-Z	7.06	14.12	1.44	6.19	15.31	15.06	13.22	10.72	3.44	10.63
I120-S18-1804E-Z	9.06	18.12	1.81	4.38	18.63	11.44	16.09	13.47	3.19	14.19
I120-S18-1806E-Z	9.06	18.12	1.81	6.19	18.63	15.06	16.09	13.47	3.19	14.19

Fits all beam sizes.

* Window width each side of frame plate.

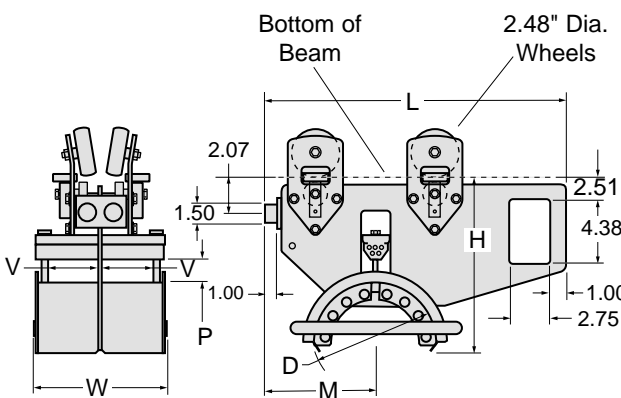


Intermediate Trolley *Quantity as Required*

Model Number w/ Std Hardware & Wheels	Saddle Radius R	Saddle Dia. D	Window Height P	Window Width* V	Overall Length L	Overall Width W	Below Beam H	Saddle Locator M
I120-S06-3004I-Z-SCP-□	3.16	6.31	3.00	4.38	13.12	11.44	10.69	6.56
I120-S06-3006I-Z-SCP-□	3.16	6.31	3.00	6.19	13.12	15.06	10.69	6.56
I120-S10-1004I-Z-SCP-□	5.13	10.25	1.06	4.38	13.12	11.44	10.69	6.56
I120-S10-1006I-Z-SCP-□	5.13	10.25	1.06	6.19	13.12	15.06	10.69	6.56
I120-S10-3304I-Z-SCP-□	5.13	10.25	3.38	4.38	17.88	11.44	13.07	8.94
I120-S10-3306I-Z-SCP-□	5.13	10.25	3.38	6.19	17.88	15.06	13.07	8.94
I120-S14-1404I-Z-SCP-□	7.06	14.12	1.44	4.38	17.88	11.44	13.07	8.94
I120-S14-1406I-Z-SCP-□	7.06	14.12	1.44	6.19	17.88	15.06	13.07	8.94
I120-S18-1804I-Z-SCP-□	9.06	18.12	1.81	4.38	22.59	11.44	15.94	11.29
I120-S18-1806I-Z-SCP-□	9.06	18.12	1.81	6.19	22.59	15.06	15.94	11.29

Your beam size must be added to complete model number. See previous pages.

* Window width each side of frame plate.

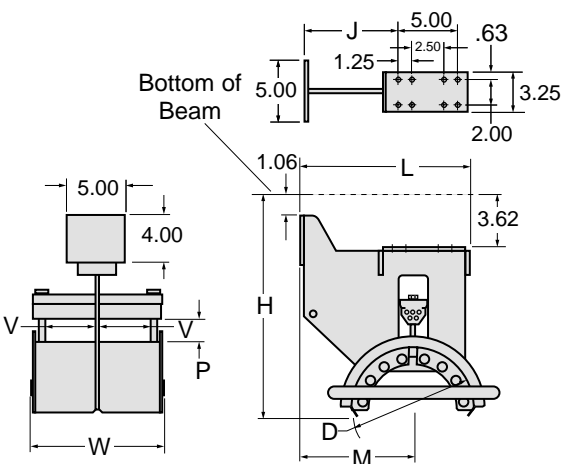


Tow Trolley *Standard...One Required*

Model Number w/ Std Hardware & Wheels	Saddle Radius R	Saddle Dia. D	Window Height P	Window Width* V	Overall Length L	Overall Width W	Below Beam H	Saddle Locator M
I120-S06-3004T-Z-SCP-□	3.16	6.31	3.00	4.38	15.31	11.44	10.69	6.97
I120-S06-3006T-Z-SCP-□	3.16	6.31	3.00	6.19	15.31	15.06	10.69	6.97
I120-S10-1004T-Z-SCP-□	5.13	10.25	1.06	4.38	16.75	11.44	10.69	7.59
I120-S10-1006T-Z-SCP-□	5.13	10.25	1.06	6.19	16.75	15.06	10.69	7.59
I120-S10-3304T-Z-SCP-□	5.13	10.25	3.38	4.38	20.19	11.44	13.07	8.94
I120-S10-3306T-Z-SCP-□	5.13	10.25	3.38	6.19	20.19	15.06	13.07	8.94
I120-S14-1404T-Z-SCP-□	7.06	14.12	1.44	4.38	22.19	11.44	13.07	10.31
I120-S14-1406T-Z-SCP-□	7.06	14.12	1.44	6.19	22.19	15.06	13.07	10.31
I120-S18-1804T-Z-SCP-□	9.06	18.12	1.81	4.38	25.50	11.44	15.94	13.09
I120-S18-1806T-Z-SCP-□	9.06	18.12	1.81	6.19	25.50	15.06	15.94	13.09

Your beam size must be added to complete model number. See previous pages.

* Window width each side of frame plate.



Tow Clamp *Optional...Replaces Tow Trolley (one required)*

Model Number w/ Std Hardware	Saddle Radius R	Saddle Dia. D	Window Height P	Window Width* V	Overall Length L	Overall Width W	Below Beam H	Saddle Locator M	Mtg. Locator J
I120-S06-3004C-Z	3.16	6.31	3.00	4.38	10.63	11.44	14.25	7.19	4.69
I120-S06-3006C-Z	3.16	6.31	3.00	6.19	10.63	15.06	14.25	7.19	4.69
I120-S10-1004C-Z	5.13	10.25	1.06	4.38	10.63	11.44	14.25	7.19	4.69
I120-S10-1006C-Z	5.13	10.25	1.06	6.19	10.63	15.06	14.25	7.19	4.69
I120-S10-3304C-Z	5.13	10.25	3.38	4.38	11.91	11.44	16.44	8.44	5.94
I120-S10-3306C-Z	5.13	10.25	3.38	6.19	11.91	15.06	16.44	8.44	5.94
I120-S14-1404C-Z	7.06	14.12	1.44	4.38	14.50	11.44	16.62	9.94	7.44
I120-S14-1406C-Z	7.06	14.12	1.44	6.19	14.50	15.06	16.62	9.94	7.44
I120-S18-1804C-Z	9.06	18.12	1.81	4.38	17.84	11.44	19.50	12.69	10.19
I120-S18-1806C-Z	9.06	18.12	1.81	6.19	17.84	15.06	19.50	12.69	10.19

Fits all beam sizes.

* Window width each side of frame plate.