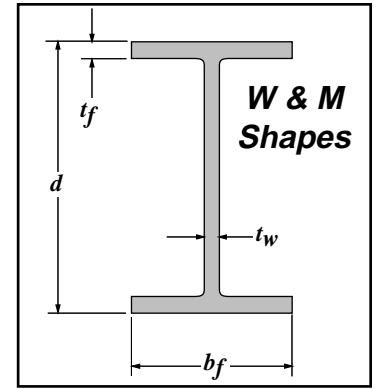
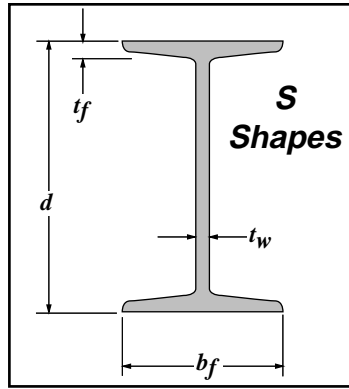


I-Beam Data

USE THESE TABLES AS A GUIDE ONLY!

Please refer to the Manual of Steel Construction for details. Beams marked with asterisk (*) are common to industry; we see them often when sizing festoon systems.



BEAM DESIGNATION	DEPTH d	WEB THICKNESS t_w	FLANGE WIDTH b_f	FLANGE THICKNESS t_f
* S 3x5.7	3.00	0.170	2.330	0.260
* S 3x7.5	3.00	0.349	2.509	0.260
* S 4x7.7	4.00	0.193	2.663	0.293
* S 4x9.5	4.00	0.326	2.796	0.293
* S 5x10	5.00	0.214	3.004	0.326
* S 5x14.75	5.00	0.494	3.284	0.326
* S 6x12.5	6.00	0.232	3.332	0.359
* S 6x17.25	6.00	0.465	3.565	0.359
* S 7x15.3	7.00	0.252	3.662	0.392
* S 7x20	7.00	0.450	3.860	0.392
* S 8x18.4	8.00	0.271	4.001	0.426
* S 8x23	8.00	0.441	4.171	0.426
* S 10x25.4	10.00	0.311	4.661	0.491
* S 10x35	10.00	0.594	4.944	0.491
* S 12x31.8	12.00	0.350	5.000	0.544
* S 12x35	12.00	0.428	5.078	0.544
* S 12x40.8	12.00	0.462	5.252	0.659
* S 12x50	12.00	0.687	5.477	0.659
* S 15x42.9	15.00	0.411	5.501	0.622
* S 15x50	15.00	0.550	5.640	0.622
* S 18x54.7	18.00	0.461	6.001	0.691
* S 18x70	18.00	0.711	6.251	0.691
S 20x66	20.00	0.505	6.255	0.795
* S 20x75	20.00	0.635	6.385	0.795
S 20x86	20.30	0.660	7.060	0.920
S 20x96	20.30	0.800	7.200	0.920
* S 24x80	24.00	0.500	7.000	0.870
S 24x90	24.00	0.625	7.125	0.870
* S 24x100	24.00	0.745	7.245	0.870
S 24x106	24.50	0.620	7.870	1.090
S 24x121	24.50	0.800	8.050	1.090
* M 4x13	4.00	0.254	3.940	0.371
* M 5x18.9	5.00	0.316	5.003	0.416
M 6x4.4	6.00	0.114	1.844	0.171
M 6x20	6.00	0.250	5.938	0.379
M 8x6.5	8.00	0.135	2.281	0.189
M 10x9	10.00	0.157	2.690	0.206
M 12x11.8	12.00	0.177	3.065	0.225
M 14x18	14.00	0.215	4.000	0.270
W 4x13	4.16	0.280	4.060	0.345
* W 5x16	5.01	0.240	5.000	0.360
* W 5x19	5.15	0.270	5.030	0.430
* W 6x9	5.60	0.170	3.940	0.215
* W 6x12	6.03	0.230	4.000	0.280
* W 6x15	5.99	0.230	5.990	0.260
* W 6x16	6.28	0.260	4.030	0.405
* W 6x20	6.20	0.260	6.020	0.365
* W 6x25	6.38	0.320	6.080	0.455
* W 8x10	7.89	0.170	3.940	0.205
* W 8x13	7.99	0.230	4.000	0.255
W 8x15	8.11	0.245	4.015	0.315
* W 8x18	8.14	0.230	5.250	0.330

BEAM DESIGNATION	DEPTH d	WEB THICKNESS t_w	FLANGE WIDTH b_f	FLANGE THICKNESS t_f
W 8x21	8.28	0.250	5.270	0.400
W 8x24	7.93	0.245	6.495	0.400
W 8x28	8.06	0.285	6.535	0.465
W 8x31	8.00	0.285	7.995	0.435
W 8x35	8.12	0.310	8.020	0.495
W 8x40	8.25	0.360	8.070	0.560
W 8x48	8.50	0.400	8.110	0.685
W 8x58	8.75	0.510	8.220	0.810
W 8x67	9.00	0.570	8.280	0.935
* W 10x12	9.87	0.190	3.960	0.210
* W 10x15	9.99	0.230	4.000	0.270
W 10x17	10.11	0.240	4.010	0.330
W 10x19	10.24	0.250	4.020	0.395
W 10x22	10.17	0.240	5.750	0.365
W 10x26	10.33	0.260	5.770	0.440
W 10x30	10.47	0.300	5.810	0.510
W 10x33	9.73	0.290	7.960	0.435
W 10x39	9.92	0.315	7.985	0.530
W 10x45	10.10	0.350	8.020	0.620
W 10x49	9.98	0.340	10.000	0.560
W 10x54	10.09	0.370	10.030	0.615
W 10x60	10.22	0.420	10.080	0.680
W 10x68	10.40	0.470	10.130	0.770
W 10x77	10.60	0.530	10.190	0.870
W 10x88	10.84	0.605	10.265	0.990
W 10x100	11.10	0.680	10.340	1.120
W 10x112	11.36	0.755	10.415	1.250
W 12x14	11.91	0.200	3.970	0.225
W 12x16	11.99	0.220	3.990	0.265
W 12x19	12.16	0.235	4.005	0.350
W 12x22	12.31	0.260	4.030	0.425
W 12x26	12.22	0.230	6.490	0.380
W 12x30	12.34	0.260	6.520	0.440
W 12x35	12.50	0.300	6.560	0.520
W 12x40	11.94	0.295	8.005	0.515
W 12x45	12.06	0.335	8.045	0.575
W 12x50	12.19	0.370	8.080	0.640
W 12x53	12.06	0.345	9.995	0.575
W 12x58	12.19	0.360	10.010	0.640
W 12x65	12.12	0.390	12.000	0.605
W 12x72	12.25	0.430	12.040	0.670
W 12x79	12.38	0.470	12.080	0.735
W 12x87	12.53	0.515	12.125	0.810
W 12x96	12.71	0.550	12.160	0.900
W 12x106	12.89	0.610	12.220	0.990
W 12x120	13.12	0.710	12.320	1.105
W 12x136	13.41	0.790	12.400	1.250
W 12x152	13.71	0.870	12.480	1.400
W 12x170	14.03	0.960	12.570	1.560
W 12x190	14.38	1.060	12.670	1.735
W 12x210	14.71	1.180	12.790	1.900
W 12x230	15.05	1.285	12.895	2.070
W 12x252	15.41	1.395	13.005	2.250
W 12x279	15.85	1.530	13.140	2.470
W 12x305	16.32	1.625	13.235	2.705
W 12x336	16.82	1.775	13.385	2.955