

Available Options

Options are available for most typical requirements and many truly special situations. These pages list a few of the most commonly requested options. If you don't see what you need, *JUST CALL!*

1. Other Wheel Types and/or Materials

Steel crowned wheels are standard. Nylon crowned wheels and steel flanged wheels are also available. See model detail pages for more information. NOTE: Nylon flanged wheels are not available.

2. Lubrication Option

Standard load-carrying wheels, side-guide rollers and anti-lift rollers are lubricated for life and sealed. A re-greasable option is available for load-carrying wheels only.

3. Stainless Steel Hardware

 Available on all series as noted on each model detail page.

4. Finishes

STANDARD FINISH

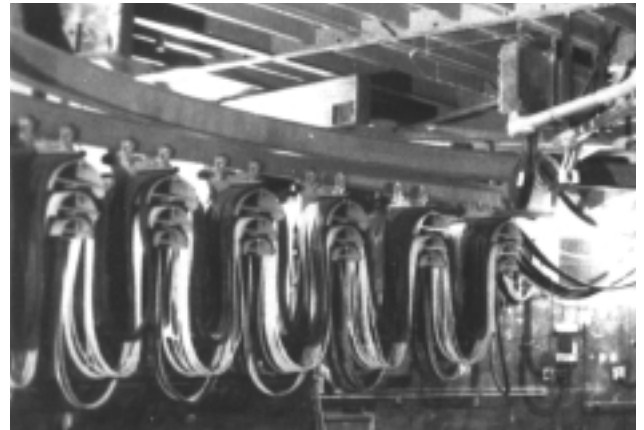
Standard Gleason finish is thermoset polyester powder coating. Standard color is safety orange.

OPTIONAL FINISHES

Hot dipped galvanizing and other finishes may be specified to suit unique conditions. When specifying other finishes, please provide detailed specifications, as finishes tend to be a localized matter to satisfy local conditions. For example, inland suppliers may not easily identify coastal specs, etc.

5. Curved I-Beam

Festoon systems mounted on curved I-beams (photo, right) require special attention. Please contact us with your specific need.



6. Non-Standard Designs

Special designs are available to meet your application requirements. Contact us with specific details.

7. Pre-Assembly and Shipping Frame

To speed and simplify festoon system installation, Gleason offers complete factory pre-assembly. Experienced personnel will assemble all components into their proper operating relationships. This reduces on-site time costs and possible confusion for new installers.

Your system will be shipped to you mounted on a shipping frame which is designed to allow your installation crew to transfer the system directly onto your I-beam.

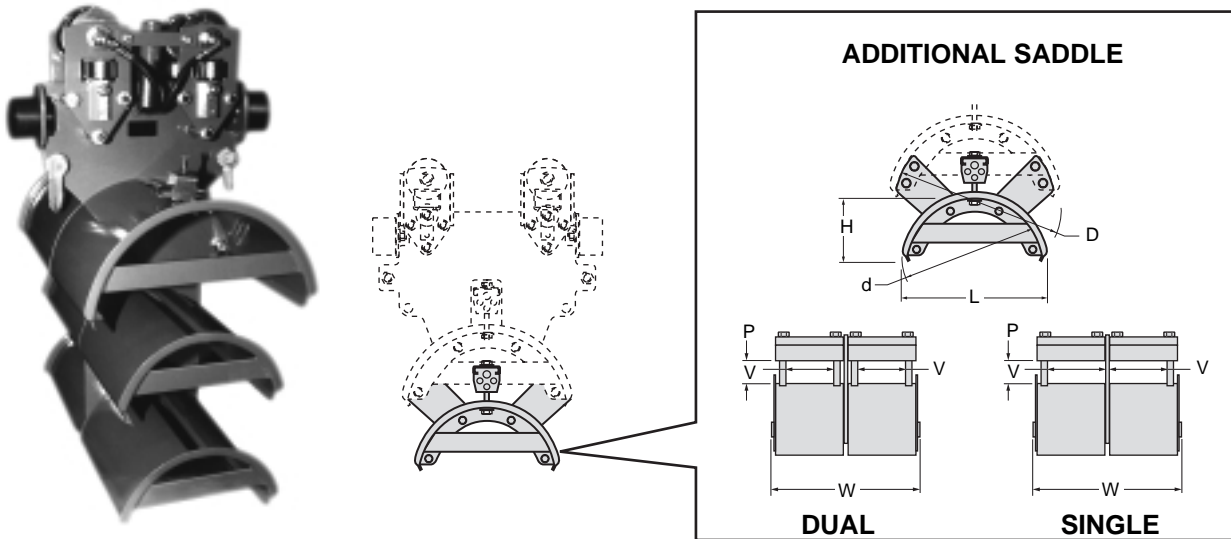


Available Options, con't.

8. Additional Saddles

SERIES I120, I130, I152 & I162
SADDLES 14.12" DIA. OR LARGER

Large cable packages may require more than one saddle, especially if there is not room for a wide saddle. A second or third saddle can be added to accommodate large loads, up to the weight limit of the trolley. Contact us for details.



Single Clamp Design

Model Number W/ Std. Hardware	Saddle Radius	Saddle Dia. D	Add'l Dia. d	Window Height P	Window Width V	Overall Length L	Overall Width W	Below Saddle H
AS-14-S10-1004-Z	7.06	14.12	10.25	1.06	4.38	12.25	11.44	5.00
AS-14-S10-1006-Z	7.06	14.12	10.25	1.06	6.19	12.25	15.06	5.00
AS-18-S10-1004-Z	9.06	18.12	10.25	1.06	4.38	12.25	11.44	5.66
AS-18-S10-1006-Z	9.06	18.12	10.25	1.06	6.19	12.25	15.06	5.66
AS-18-S14-1404-Z	9.06	18.12	14.12	1.44	4.38	16.12	11.44	6.97
AS-18-S14-1406-Z	9.06	18.12	14.12	1.44	6.19	16.12	15.06	6.97

NOTE:
 Primary saddle with "D" diameter accepts additional saddle with "d" diameter.

Dual Clamp Design

Model Number W/ Std. Hardware	Saddle Radius	Saddle Dia. D	Add'l Dia. d	Window Height P	Window Width V	Overall Length L	Overall Width W	Below Saddle H
AS-14-D10-1007-Z	7.06	14.12	10.25	1.06	7.88	12.25	20.44	5.00
AS-14-D10-1012-Z	7.06	14.12	10.25	1.06	12.69	12.25	30.06	5.00
AS-18-D10-1007-Z	9.06	18.12	10.25	1.06	7.88	12.25	20.44	5.66
AS-18-D10-1012-Z	9.06	18.12	10.25	1.06	12.69	12.25	30.06	5.66
AS-18-D14-1407-Z	9.06	18.12	14.12	1.44	7.88	16.12	20.44	6.97
AS-18-D14-1412-Z	9.06	18.12	14.12	1.44	12.69	16.12	30.06	6.97